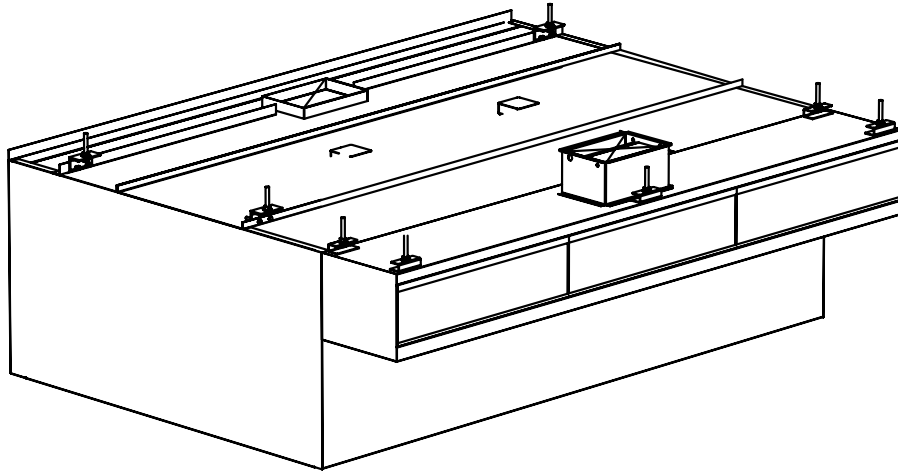


Duo-Aire

® DW-PSP
 Exhaust Only
 Wall Canopy



Model DW-PSP

Duo-Aire provides a combination hood system providing supply air through both an internal (short circuit) diffuser and an air curtain diffuser. This combination hood discharges supply air into two plenums, providing a higher rate of supply to exhaust.

- Exhaust rates 300-500 CFM/ft. (wall) and 600-700 CFM/ft. (island)
- 70% supply air internal/20% air curtain - up to 90% supply/exhaust ratio
- Air curtain - (4) inch low velocity air curtain
- OBD dampers to central air distributor.

STANDARD FEATURES

- UL Listed Aluminum Grease Filters
- UL Listed Globe Lights
- 3" Rear Air Space
- Removable Grease Trough & Cup
- Hanging Brackets
- Exhaust Collar Installed

OPTIONS

- All Stainless Steel Construction
- UL Listed Stainless Steel Grease Filters
- 14" Utility Cabinet for Fire Suppression System
- Electrical Control Panel
- Pre-Plumbed Fire Suppression
- Stainless Steel Top Enclosures
- Light Switch
- Fan Switch
- UL Listed Insulated Top, Back and/or Ends for Zero Clearance to Combustible

EXHAUST RATE REQUIREMENTS

	TEMPERATURE OF EQUIPMENT		
	400°	600°	700°
CFM Exhaust / Ft.	200	300	350

BUILT IN
 ACCORDANCE
 WITH NFPA 96



DW Series - Exhaust Only Wall Canopy