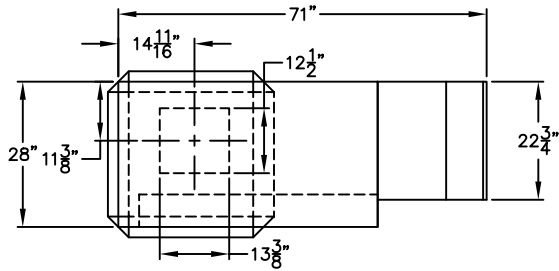
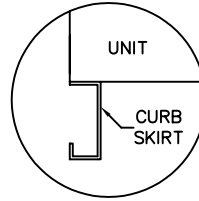


GENERAL NOTES

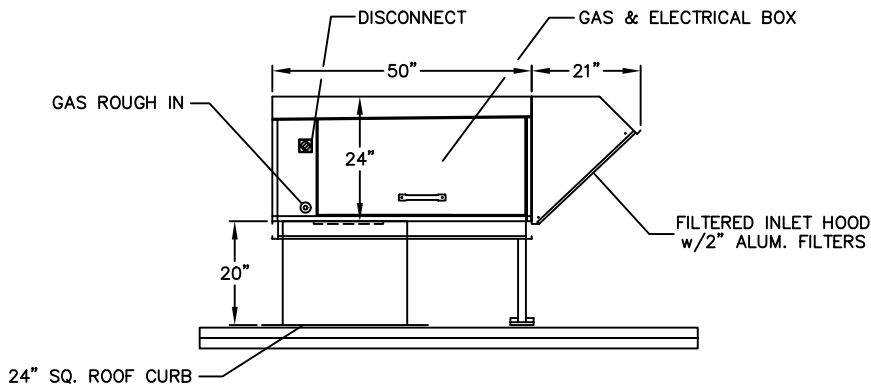
UNLESS OTHERWISE NOTED, ALL EXTERIOR SURFACES WILL BE 18 GA. GALVANIZED STEEL.



CURB SKIRT DETAIL



PLAN VIEW



ELEVATION VIEW

APPROXIMATE WEIGHT OF THE UNIT: 350 LBS.

PROJECT NAME:
 REF. NO./DRAWING NO.:
 DATE:

ENGINEERING SPECIFICATIONS

MODEL: CAA-VI		
C.F.M.:	T.S.P.:	E.S.P.:
B.T.U. INPUT: 155,000	GAS LINE SIZE: 1/2"	
MIN. GAS PRESS.: 7" W.C.	MAX. GAS PRESS.: 14" W.C.	
H.P.:	VOLTAGE:	SERVICE AMPS.:
BLOWER MODEL # G10-8		

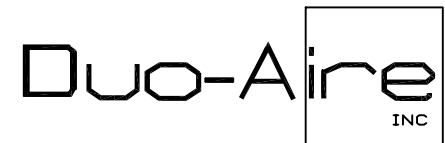
STANDARD FEATURES:

DIRECT GAS FIRED UNIT, NATURAL GAS
ETL CERTIFIED
25" SQ. SKIRT FOR 24" SQ. CURB
GALVANIZED STEEL CASING; UNPAINTED
DOWN DISCHARGE CONFIGURATION
MAXITROL SERIES 14
REMOTE RESET OF FLAME SAFEGUARD
24V REMOTE CONTROL PANEL
ONE EXHAUST FAN STARTER
1" INTERNAL INSULATION
VIBRATION ISOLATORS
REMOVABLE BIRDSCREEN

OPTIONAL FEATURES:

NOTES:

SUPPLY AIR FLOW RANGE: UP TO 1,700 CFM

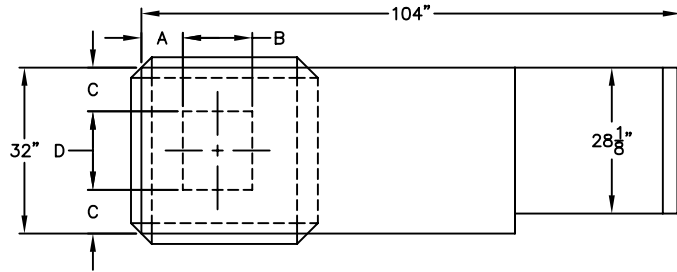
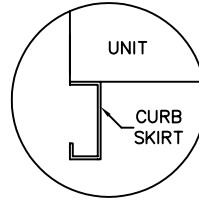


GENERAL NOTES

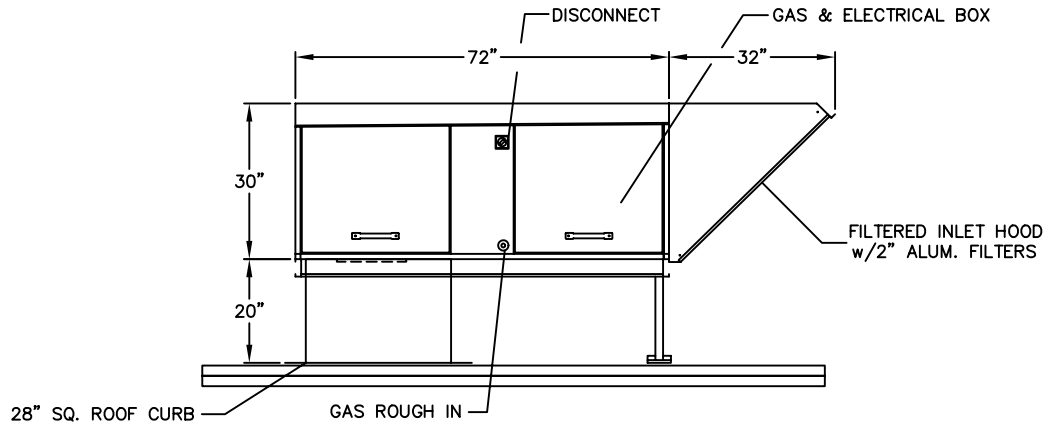
UNLESS OTHERWISE NOTED, ALL EXTERIOR SURFACES WILL BE 18 GA. GALVANIZED STEEL.



CURB SKIRT DETAIL



PLAN VIEW



ELEVATION VIEW

CFM RANGE	FAN SIZE	A	B	C	D
1,600-2,400	G10	8	13 3/8	8 7/16	15 1/8
2,401-3,500	G12	9 1/4	15 7/16	7 3/16	17 5/8

APPROXIMATE WEIGHT OF THE UNIT: 475 LBS.

PROJECT NAME: _____
 REF. NO./DRAWING NO.: _____
 DATE: _____

ENGINEERING SPECIFICATIONS

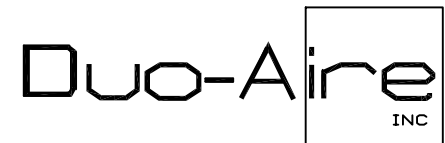
MODEL: CAA-V2
 C.F.M.: _____ T.S.P.: _____ E.S.P.: _____
 B.T.U. INPUT: 290,000 GAS LINE SIZE: 1/2"
 MIN. GAS PRESS.: 8" W.C. MAX. GAS PRESS.: 14" W.C.
 H.P.: _____ VOLTAGE: _____ SERVICE AMPS.: _____
 BLOWER MODEL # G10 OR G12

- STANDARD FEATURES:
- DIRECT GAS FIRED UNIT, NATURAL GAS
 - ETL CERTIFIED
 - 29" SQ. SKIRT FOR 28" SQ. CURB
 - GALVANIZED STEEL CASING; UNPAINTED
 - DOWN DISCHARGE CONFIGURATION
 - MAXITROL SERIES 14
 - REMOTE RESET OF FLAME SAFEGUARD
 - 24V REMOTE CONTROL PANEL
 - ONE EXHAUST FAN STARTER
 - 1" INTERNAL INSULATION
 - VIBRATION ISOLATORS
 - REMOVABLE BIRDSCREEN

OPTIONAL FEATURES:

NOTES:

SUPPLY AIR FLOW RANGE: 1,600 CFM TO 3,500 CFM



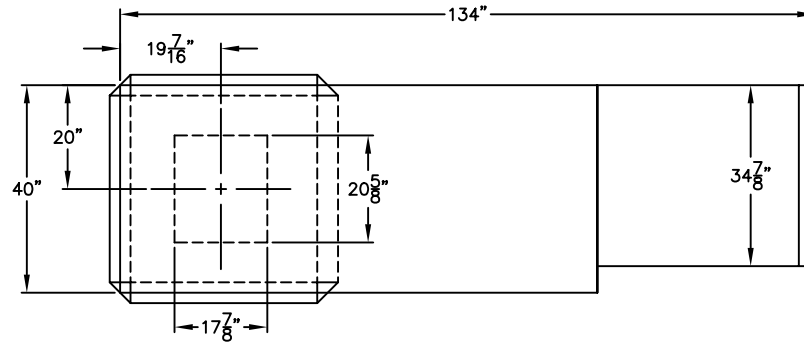
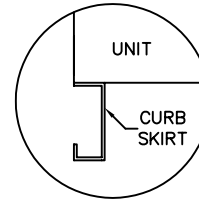
GENERAL NOTES

UNLESS OTHERWISE NOTED, ALL EXTERIOR SURFACES WILL BE 18 GA. GALVANIZED STEEL.

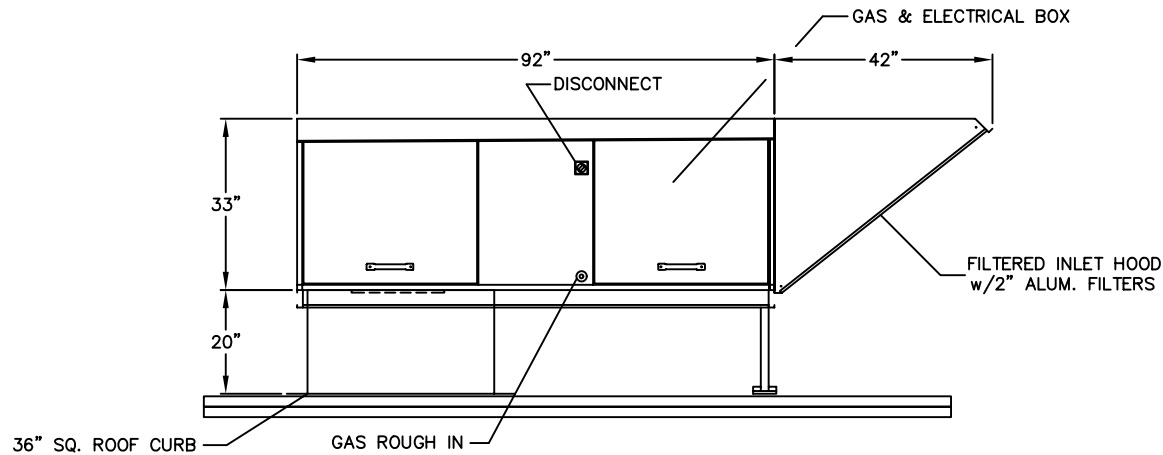
LISTED



CURB SKIRT DETAIL



PLAN VIEW



ELEVATION VIEW

APPROXIMATE WEIGHT OF THE UNIT: 700 LBS.

PROJECT NAME:

REF. NO./DRAWING NO.:

DATE:

ENGINEERING SPECIFICATIONS

MODEL: CAA-V3

C.F.M.: T.S.P.: E.S.P.:

B.T.U. INPUT: 625,000 GAS LINE SIZE: 3/4"

MIN. GAS PRESS.: 8" W.C. MAX. GAS PRESS.: 14" W.C.

H.P.: VOLTAGE: SERVICE AMPS.:

BLOWER MODEL # G15

STANDARD FEATURES:

DIRECT GAS FIRED UNIT, NATURAL GAS

ETL CERTIFIED

37" SQ. SKIRT FOR 36" SQ. CURB

GALVANIZED STEEL CASING; UNPAINTED

DOWN DISCHARGE CONFIGURATION

MAXITROL SERIES 14

REMOTE RESET OF FLAME SAFEGUARD

24V REMOTE CONTROL PANEL

ONE EXHAUST FAN STARTER

1" INTERNAL INSULATION

VIBRATION ISOLATORS

REMOVABLE BIRDSCREEN

OPTIONAL FEATURES:

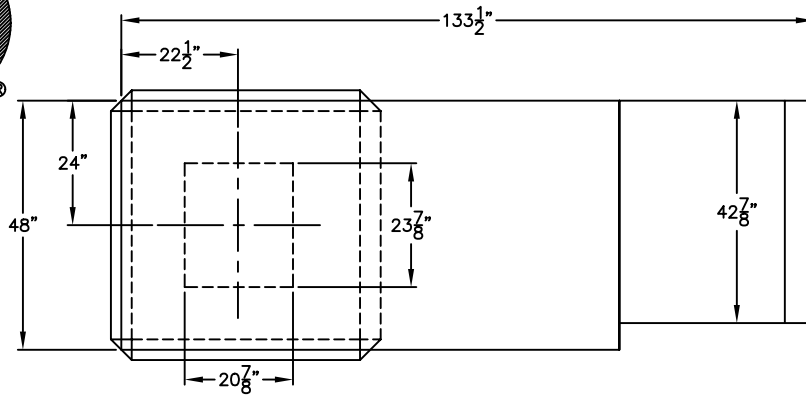
NOTES:

SUPPLY AIR FLOW RANGE: 3,200 CFM TO 6,800 CFM

Duo-Aire
INC

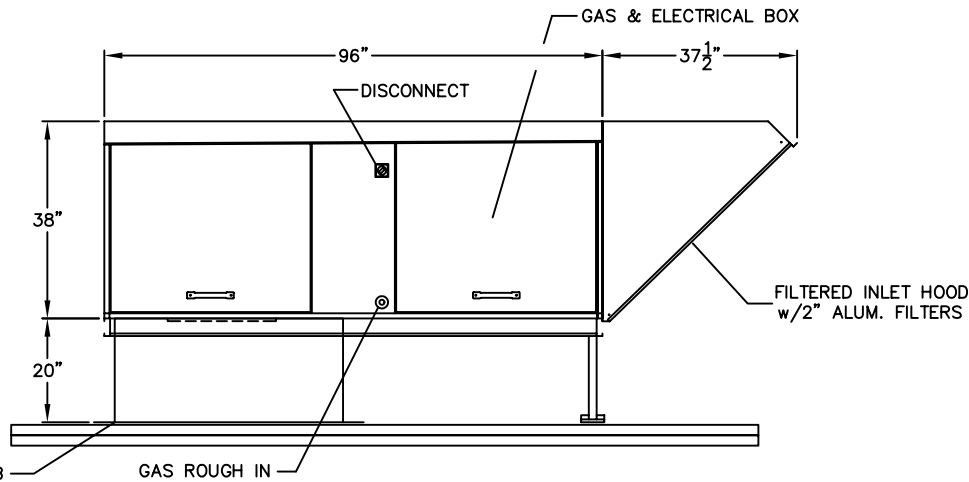
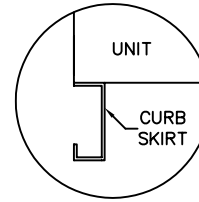
GENERAL NOTES

UNLESS OTHERWISE NOTED, ALL EXTERIOR SURFACES WILL BE 18 GA. GALVANIZED STEEL.



PLAN VIEW

CURB SKIRT DETAIL



ELEVATION VIEW

APPROXIMATE WEIGHT OF THE UNIT: 850 LBS.

PROJECT NAME:

REF. NO./DRAWING NO.:

DATE:

ENGINEERING SPECIFICATIONS

MODEL: CAA-V4

C.F.M.: T.S.P.: E.S.P.:

B.T.U. INPUT: 745,000 GAS LINE SIZE: 3/4"

MIN. GAS PRESS.: 9" W.C. MAX. GAS PRESS.: 14" W.C.

H.P.: VOLTAGE: SERVICE AMPS.:

BLOWER MODEL # G18

STANDARD FEATURES:

DIRECT GAS FIRED UNIT, NATURAL GAS

ETL CERTIFIED

45" SQ. SKIRT FOR 44" SQ. CURB

GALVANIZED STEEL CASING; UNPAINTED

DOWN DISCHARGE CONFIGURATION

MAXITROL SERIES 14

REMOTE RESET OF FLAME SAFEGUARD

24V REMOTE CONTROL PANEL

ONE EXHAUST FAN STARTER

1" INTERNAL INSULATION

VIBRATION ISOLATORS

REMOVABLE BIRDSCREEN

OPTIONAL FEATURES:

NOTES:

SUPPLY AIR FLOW RANGE: 4,900 CFM TO 8,100 CFM

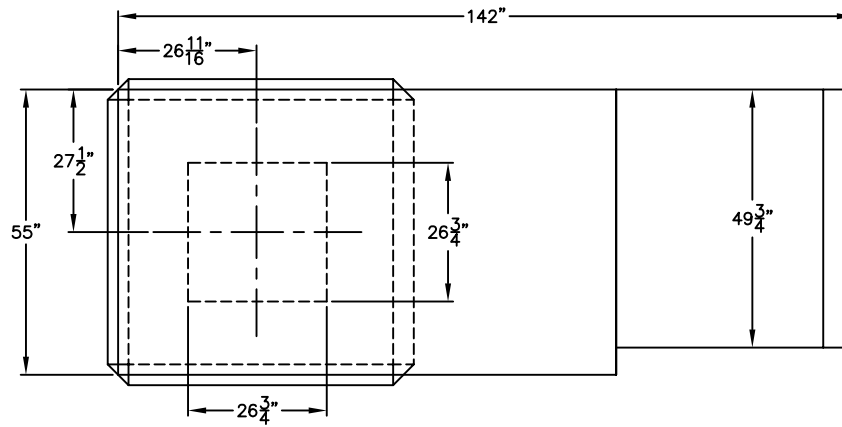
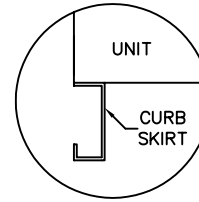
Duo-Aire
INC

GENERAL NOTES

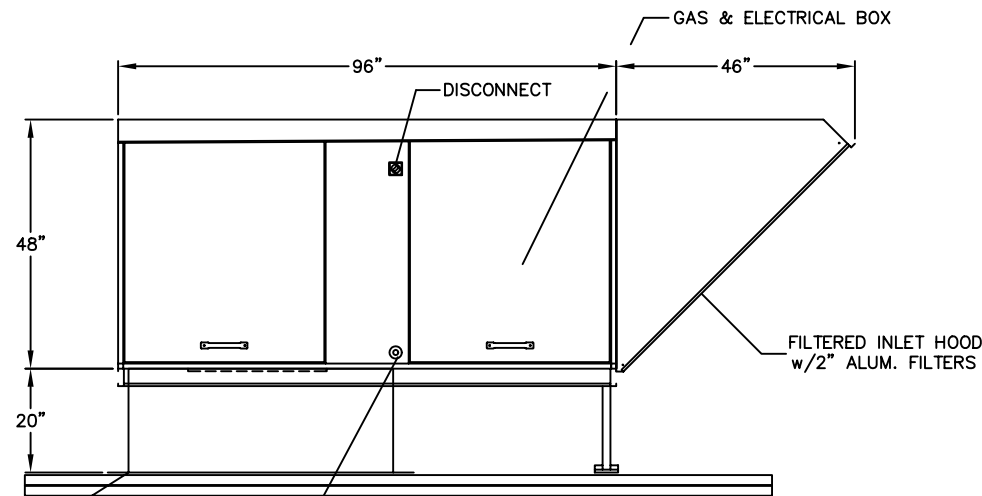
UNLESS OTHERWISE NOTED, ALL EXTERIOR SURFACES WILL BE 18 GA. GALVANIZED STEEL.



CURB SKIRT DETAIL



PLAN VIEW



ELEVATION VIEW

APPROXIMATE WEIGHT OF THE UNIT: 1,075 LBS.

PROJECT NAME:
REF. NO./DRAWING NO.:
DATE:

ENGINEERING SPECIFICATIONS

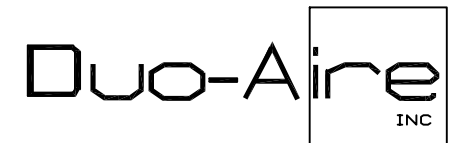
MODEL: CAA-V5
C.F.M.: T.S.P.: E.S.P.:
B.T.U. INPUT: 1,125,000 GAS LINE SIZE: 1"
MIN. GAS PRESS.: 13" W.C. MAX. GAS PRESS.: 28" W.C.
H.P.: VOLTAGE: SERVICE AMPS.:
BLOWER MODEL # 920

- STANDARD FEATURES:
- DIRECT GAS FIRED UNIT, NATURAL GAS
 - ETL CERTIFIED
 - 52" SQ. SKIRT FOR 51" SQ. CURB
 - GALVANIZED STEEL CASING; UNPAINTED
 - DOWN DISCHARGE CONFIGURATION
 - MAXITROL SERIES 14
 - REMOTE RESET OF FLAME SAFEGUARD
 - 24V REMOTE CONTROL PANEL
 - ONE EXHAUST FAN STARTER
 - 1" INTERNAL INSULATION
 - VIBRATION ISOLATORS
 - REMOVABLE BIRDSCREEN

OPTIONAL FEATURES:

NOTES:

SUPPLY AIR FLOW RANGE: 6,800 CFM TO 13,000 CFM



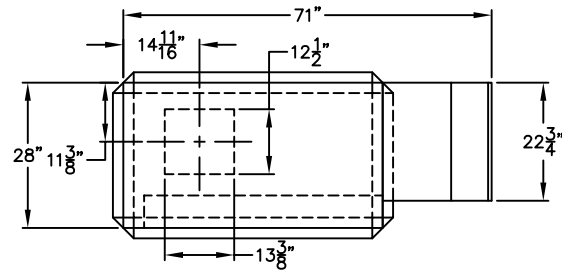
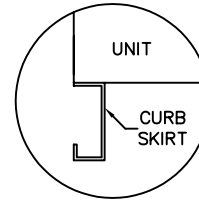
GENERAL NOTES

UNLESS OTHERWISE NOTED, ALL EXTERIOR SURFACES WILL BE 18 GA. GALVANIZED STEEL.

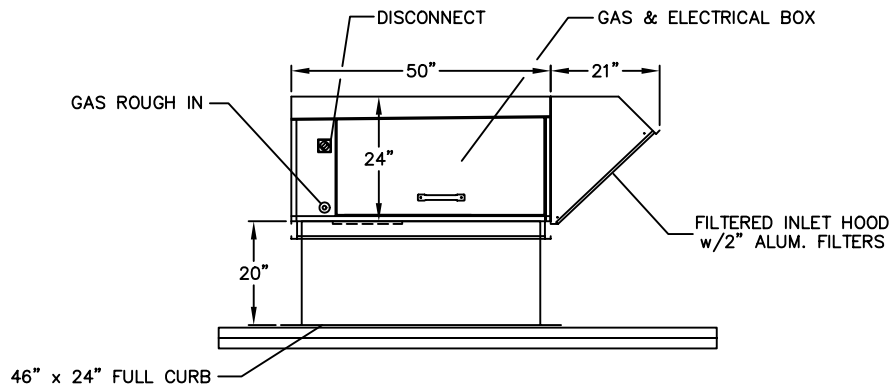
LISTED



CURB SKIRT DETAIL



PLAN VIEW



ELEVATION VIEW

APPROXIMATE WEIGHT OF THE UNIT: 350 LBS.

PROJECT NAME:

REF. NO./DRAWING NO.:

DATE:

ENGINEERING SPECIFICATIONS

MODEL: CAA-VI

C.F.M.: T.S.P.: E.S.P.:

B.T.U. INPUT: 155,000 GAS LINE SIZE: 1/2"

MIN. GAS PRESS.: 7" W.C. MAX. GAS PRESS.: 14" W.C.

H.P.: VOLTAGE: SERVICE AMPS.:

BLOWER MODEL # G10-8

STANDARD FEATURES:

DIRECT GAS FIRED UNIT, NATURAL GAS

ETL CERTIFIED

47" x 25" SKIRT FOR 46" x 24" FULL CURB

GALVANIZED STEEL CASING; UNPAINTED

DOWN DISCHARGE CONFIGURATION

MAXITROL SERIES 14

REMOTE RESET OF FLAME SAFEGUARD

24V REMOTE CONTROL PANEL

ONE EXHAUST FAN STARTER

1" INTERNAL INSULATION

VIBRATION ISOLATORS

REMOVABLE BIRDSCREEN

OPTIONAL FEATURES:

NOTES:

SUPPLY AIR FLOW RANGE: UP TO 1,700 CFM

Duo-Aire
INC

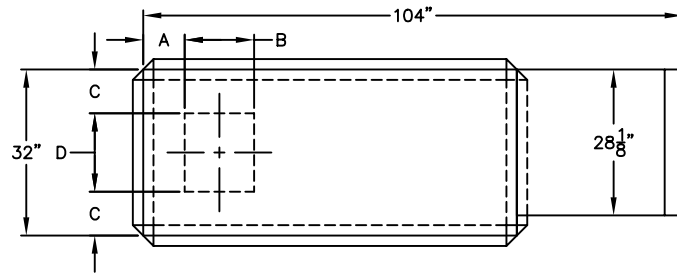
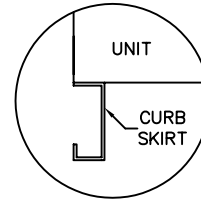
GENERAL NOTES

UNLESS OTHERWISE NOTED, ALL EXTERIOR SURFACES WILL BE 18 GA. GALVANIZED STEEL.

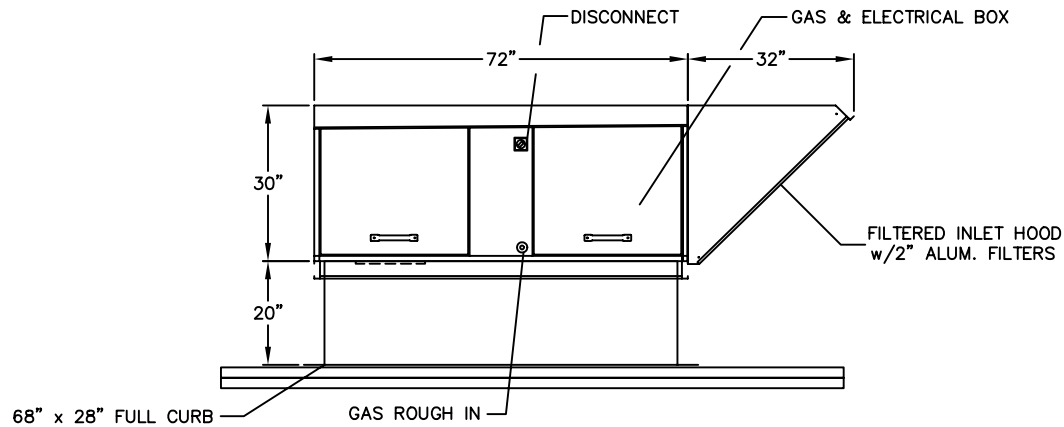
LISTED



CURB SKIRT DETAIL



PLAN VIEW



ELEVATION VIEW

CFM RANGE	FAN SIZE	A	B	C	D
1,600-2,400	G10	8	13 3/8	8 7/16	15 1/8
2,401-3,500	G12	9 1/4	15 7/16	7 3/16	17 5/8

APPROXIMATE WEIGHT OF THE UNIT: 475 LBS.

PROJECT NAME:

REF. NO./DRAWING NO.:

DATE:

ENGINEERING SPECIFICATIONS

MODEL: CAA-V2

C.F.M.: T.S.P.: E.S.P.:

B.T.U. INPUT: 290,000 GAS LINE SIZE: 1/2"

MIN. GAS PRESS.: 8" W.C. MAX. GAS PRESS.: 14" W.C.

H.P.: VOLTAGE: SERVICE AMPS.:

BLOWER MODEL # G10 OR G12

STANDARD FEATURES:

DIRECT GAS FIRED UNIT, NATURAL GAS

ETL CERTIFIED

69" x 29" SKIRT FOR 68" x 28" FULL CURB

GALVANIZED STEEL CASING; UNPAINTED

DOWN DISCHARGE CONFIGURATION

MAXITROL SERIES 14

REMOTE RESET OF FLAME SAFEGUARD

24V REMOTE CONTROL PANEL

ONE EXHAUST FAN STARTER

1" INTERNAL INSULATION

VIBRATION ISOLATORS

REMOVABLE BIRDSCREEN

OPTIONAL FEATURES:

NOTES:

SUPPLY AIR FLOW RANGE: 1,600 CFM TO 3,500 CFM

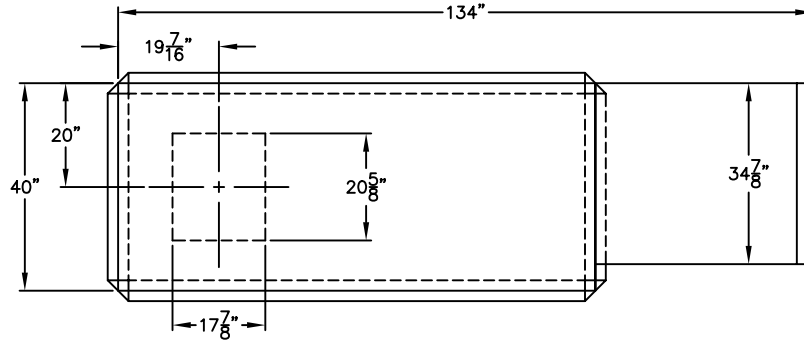
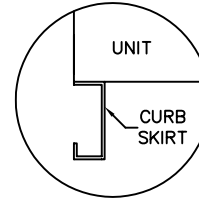
Duo-Aire
INC

GENERAL NOTES

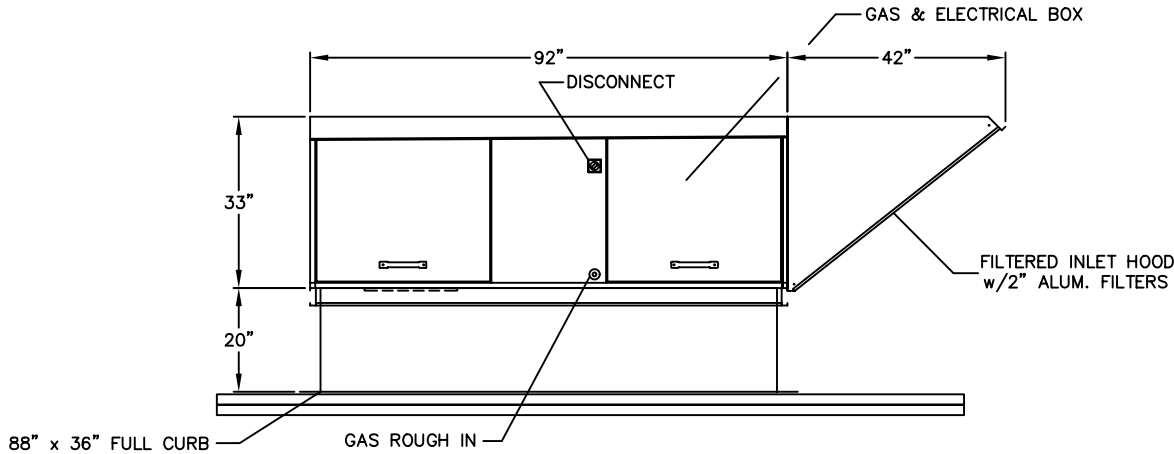
UNLESS OTHERWISE NOTED, ALL EXTERIOR SURFACES WILL BE 18 GA. GALVANIZED STEEL.



CURB SKIRT DETAIL



PLAN VIEW



ELEVATION VIEW

APPROXIMATE WEIGHT OF THE UNIT: 700 LBS.

PROJECT NAME:
 REF. NO./DRAWING NO.:
 DATE:

ENGINEERING SPECIFICATIONS

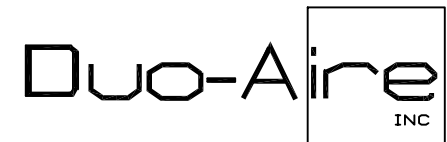
MODEL: CAA-V3
 C.F.M.: T.S.P.: E.S.P.:
 B.T.U. INPUT: 625,000 GAS LINE SIZE: 3/4"
 MIN. GAS PRESS.: 8" W.C. MAX. GAS PRESS.: 14" W.C.
 H.P.: VOLTAGE: SERVICE AMPS.:
 BLOWER MODEL # G15

- STANDARD FEATURES:
- DIRECT GAS FIRED UNIT, NATURAL GAS
 - ETL CERTIFIED
 - 89" x 37" SKIRT FOR 88" x 36" FULL CURB
 - GALVANIZED STEEL CASING; UNPAINTED
 - DOWN DISCHARGE CONFIGURATION
 - MAXITROL SERIES 14
 - REMOTE RESET OF FLAME SAFEGUARD
 - 24V REMOTE CONTROL PANEL
 - ONE EXHAUST FAN STARTER
 - 1" INTERNAL INSULATION
 - VIBRATION ISOLATORS
 - REMOVABLE BIRDSCREEN

OPTIONAL FEATURES:

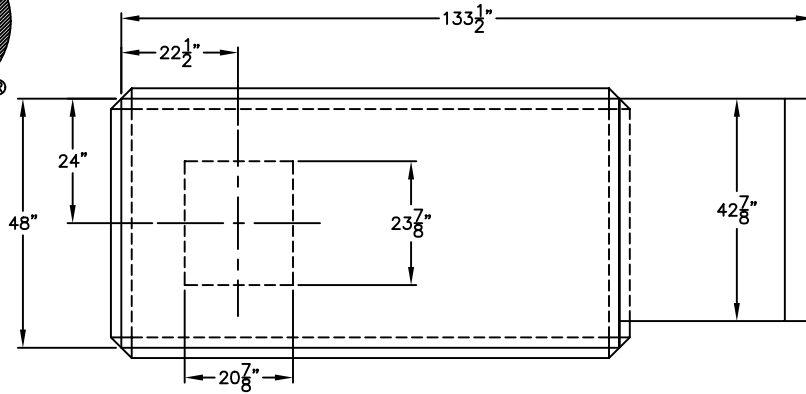
NOTES:

SUPPLY AIR FLOW RANGE: 3,200 CFM TO 6,800 CFM

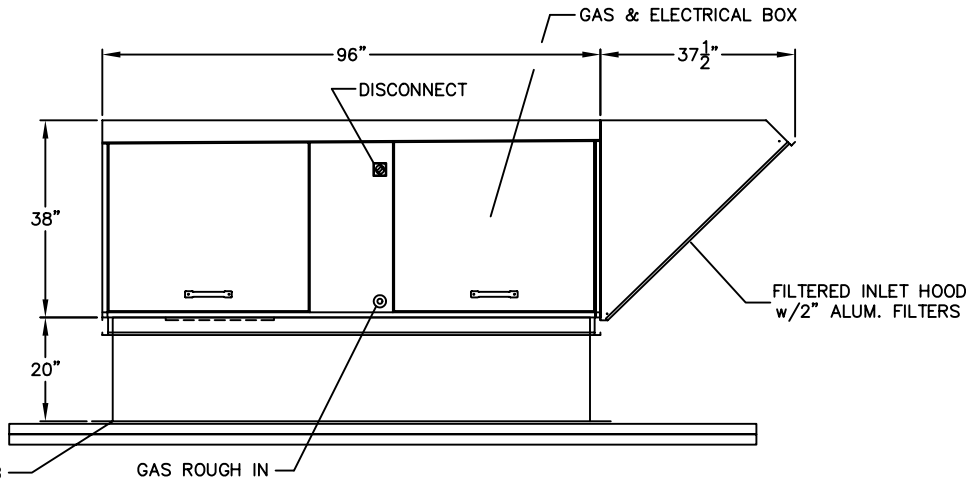


GENERAL NOTES

UNLESS OTHERWISE NOTED, ALL EXTERIOR SURFACES WILL BE 18 GA. GALVANIZED STEEL.

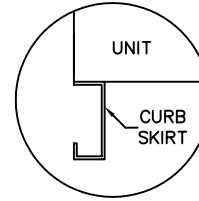


PLAN VIEW



ELEVATION VIEW

CURB SKIRT DETAIL



PROJECT NAME:
 REF. NO./DRAWING NO.:
 DATE:

ENGINEERING SPECIFICATIONS

MODEL: CAA-V4		
C.F.M.:	T.S.P.:	E.S.P.:
B.T.U. INPUT: 745,000	GAS LINE SIZE: 3/4"	
MIN. GAS PRESS.: 9" W.C.	MAX. GAS PRESS.: 14" W.C.	
H.P.:	VOLTAGE:	SERVICE AMPS.:
BLOWER MODEL # G18		

STANDARD FEATURES:

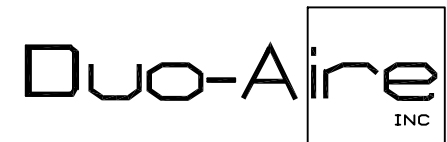
DIRECT GAS FIRED UNIT, NATURAL GAS
ETL CERTIFIED
93" x 45" SKIRT FOR 92" x 44" FULL CURB
GALVANIZED STEEL CASING; UNPAINTED
DOWN DISCHARGE CONFIGURATION
MAXITROL SERIES 14
REMOTE RESET OF FLAME SAFEGUARD
24V REMOTE CONTROL PANEL
ONE EXHAUST FAN STARTER
1" INTERNAL INSULATION
VIBRATION ISOLATORS
REMOVABLE BIRDSCREEN

OPTIONAL FEATURES:

NOTES:

SUPPLY AIR FLOW RANGE: 4,900 CFM TO 8,100 CFM

APPROXIMATE WEIGHT OF THE UNIT: 850 LBS.

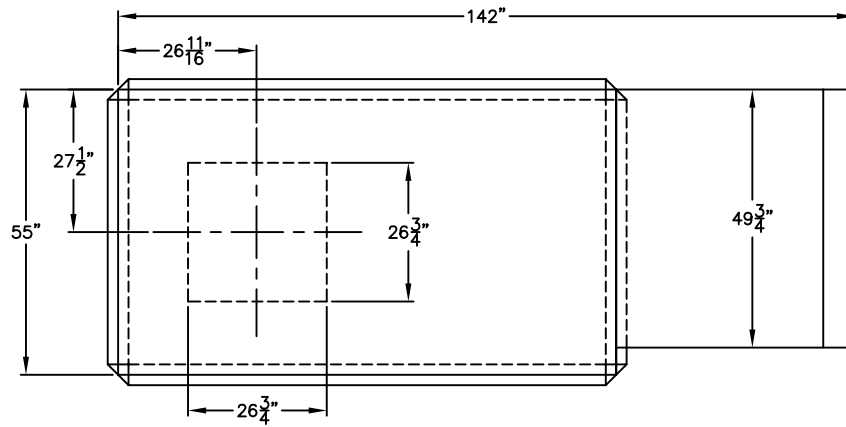
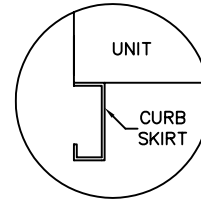


GENERAL NOTES

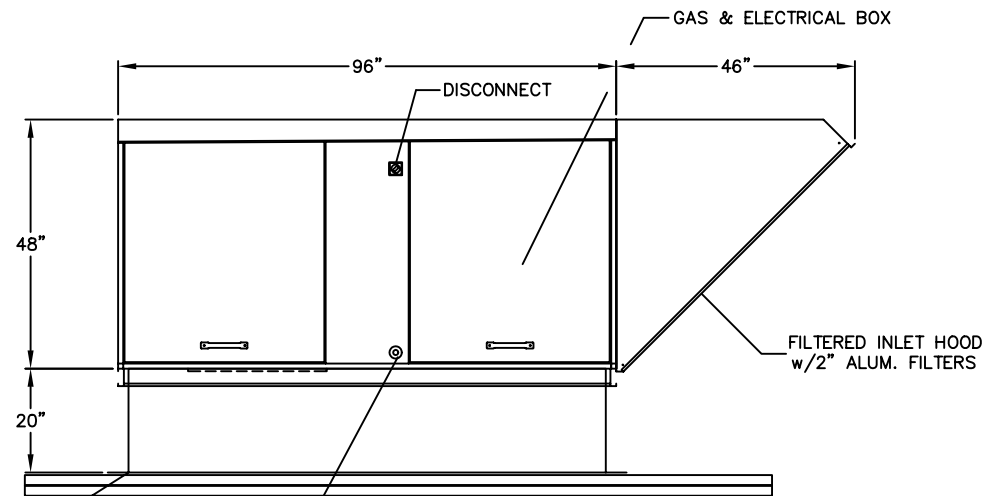
UNLESS OTHERWISE NOTED, ALL EXTERIOR SURFACES WILL BE 18 GA. GALVANIZED STEEL.



CURB SKIRT DETAIL



PLAN VIEW



ELEVATION VIEW

APPROXIMATE WEIGHT OF THE UNIT: 1,075 LBS.

PROJECT NAME:
 REF. NO./DRAWING NO.:
 DATE:

ENGINEERING SPECIFICATIONS

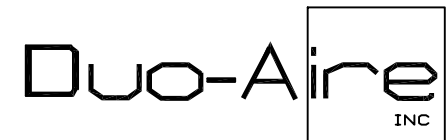
MODEL: CAA-V5
 C.F.M.: T.S.P: E.S.P.:
 B.T.U. INPUT: 1,125,000 GAS LINE SIZE: 1"
 MIN. GAS PRESS.: 13" W.C. MAX. GAS PRESS.: 28" W.C.
 H.P.: VOLTAGE: SERVICE AMPS.:
 BLOWER MODEL # 920

- STANDARD FEATURES:
- DIRECT GAS FIRED UNIT, NATURAL GAS
 - ETL CERTIFIED
 - 93" x 52" SKIRT FOR 92" x 51" FULL CURB
 - GALVANIZED STEEL CASING; UNPAINTED
 - DOWN DISCHARGE CONFIGURATION
 - MAXITROL SERIES 14
 - REMOTE RESET OF FLAME SAFEGUARD
 - 24V REMOTE CONTROL PANEL
 - ONE EXHAUST FAN STARTER
 - 1" INTERNAL INSULATION
 - VIBRATION ISOLATORS
 - REMOVABLE BIRDSCREEN

OPTIONAL FEATURES:

NOTES:

SUPPLY AIR FLOW RANGE: 6,800 CFM TO 13,000 CFM



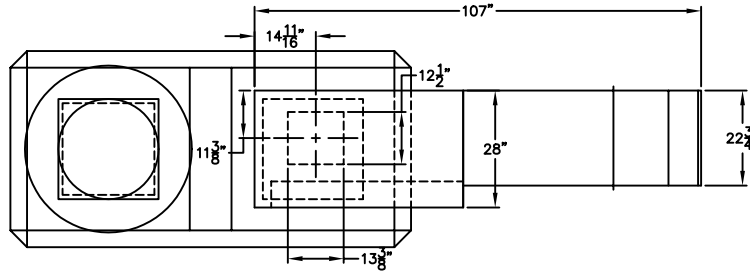
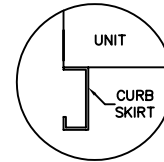
GENERAL NOTES

UNLESS OTHERWISE NOTED, ALL EXTERIOR SURFACES WILL BE 18 GA. GALVANIZED STEEL.

LISTED



CURB SKIRT DETAIL

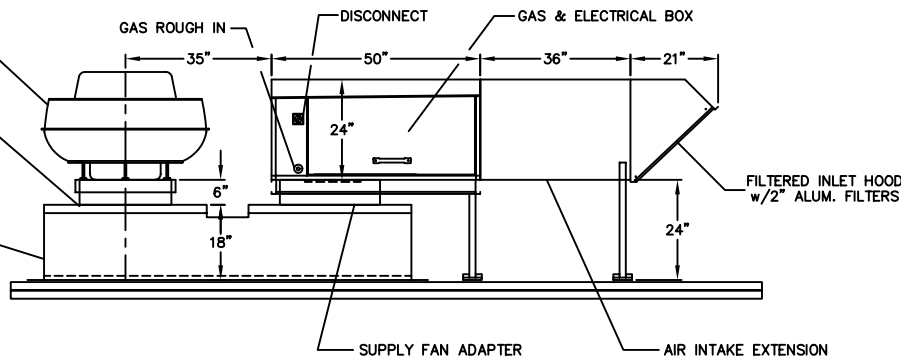


PLAN VIEW

SPUN ALUMINUM EXHAUST FAN WITH DISCONNECT, HINGED BASE, AND GREASE COLLECTION DEVICE. UL LISTED FOR GREASE LADEN AIR.

EXHAUST FAN ADAPTER

COMMON CURB W/OPTIONAL BOTTOM 88" x 39" O.D. WITH 4" PERIMETER FLANGE



ELEVATION VIEW

PROJECT NAME:

REF. NO./DRAWING NO.:

DATE:

ENGINEERING SPECIFICATIONS

MODEL: CAA-VI-CC

C.F.M.:

T.S.P.:

E.S.P.:

B.T.U. INPUT: 155,000

GAS LINE SIZE: 1/2"

MIN. GAS PRESS.: 7" W.C.

MAX. GAS PRESS.: 14" W.C.

H.P.:

VOLTAGE:

SERVICE AMPS.:

BLOWER MODEL # G10-8

STANDARD FEATURES:

DIRECT GAS FIRED UNIT, NATURAL GAS

ETL CERTIFIED

GALVANIZED STEEL CASING; UNPAINTED

DOWN DISCHARGE CONFIGURATION

MAXITROL SERIES 14

REMOTE RESET OF FLAME SAFEGUARD

24V REMOTE CONTROL PANEL

ONE EXHAUST FAN STARTER

1" INTERNAL INSULATION

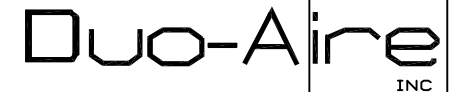
VIBRATION ISOLATORS

REMOVABLE BIRDSCREEN

OPTIONAL FEATURES:

NOTES:

SUPPLY AIR FLOW RANGE: UP TO 1,700 CFM



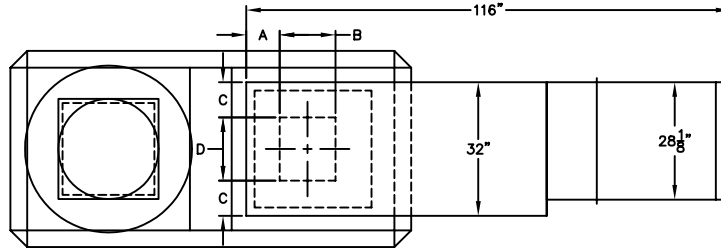
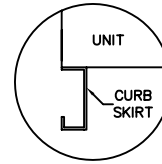
GENERAL NOTES

UNLESS OTHERWISE NOTED, ALL EXTERIOR SURFACES WILL BE 18 GA. GALVANIZED STEEL.

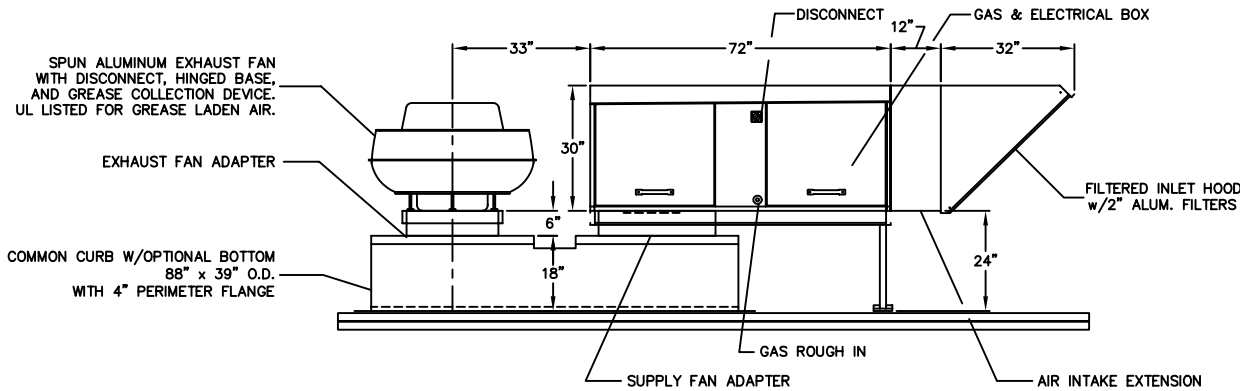
LISTED



CURB SKIRT DETAIL



PLAN VIEW



ELEVATION VIEW

CFM RANGE	FAN SIZE	A	B	C	D
1,600-2,400	G10	8	13 3/8	8 7/16	15 1/8
2,401-3,500	G12	9 1/4	15 7/16	7 3/16	17 5/8

PROJECT NAME: _____
 REF. NO./DRAWING NO.: _____
 DATE: _____

ENGINEERING SPECIFICATIONS

MODEL: CAA-V2-CC
 C.F.M.: _____ T.S.P.: _____ E.S.P.: _____
 B.T.U. INPUT: 290,000 GAS LINE SIZE: 1/2"
 MIN. GAS PRESS.: 8" W.C. MAX. GAS PRESS.: 14" W.C.
 H.P.: _____ VOLTAGE: _____ SERVICE AMPS.: _____
 BLOWER MODEL # G10 OR G12

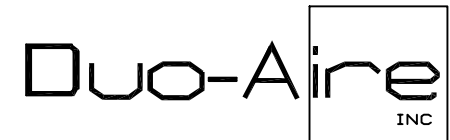
STANDARD FEATURES:

- DIRECT GAS FIRED UNIT, NATURAL GAS
- ETL CERTIFIED
- GALVANIZED STEEL CASING; UNPAINTED
- DOWN DISCHARGE CONFIGURATION
- MAXITROL SERIES 14
- REMOTE RESET OF FLAME SAFEGUARD
- 24V REMOTE CONTROL PANEL
- ONE EXHAUST FAN STARTER
- 1" INTERNAL INSULATION
- VIBRATION ISOLATORS
- REMOVABLE BIRDSCREEN

OPTIONAL FEATURES:

NOTES:

SUPPLY AIR FLOW RANGE: 1,600 CFM TO 3,500 CFM



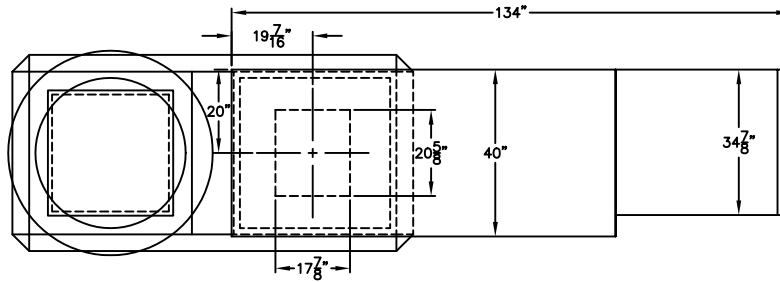
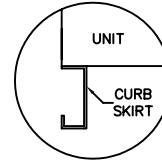
GENERAL NOTES

UNLESS OTHERWISE NOTED, ALL EXTERIOR SURFACES WILL BE 18 GA. GALVANIZED STEEL.

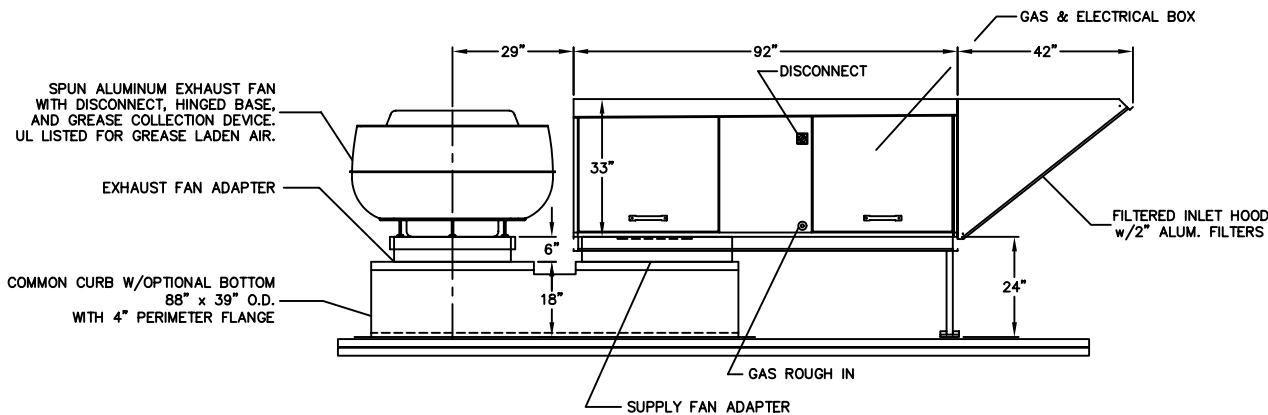
LISTED



CURB SKIRT DETAIL



PLAN VIEW



ELEVATION VIEW

PROJECT NAME:
 REF. NO./DRAWING NO.:
 DATE:

ENGINEERING SPECIFICATIONS

MODEL: CAA-V3-CC
 C.F.M.: T.S.P.: E.S.P.:
 B.T.U. INPUT: 625,000 GAS LINE SIZE: 3/4"
 MIN. GAS PRESS.: 8" W.C. MAX. GAS PRESS.: 14" W.C.
 H.P.: VOLTAGE: SERVICE AMPS.:
 BLOWER MODEL # G15

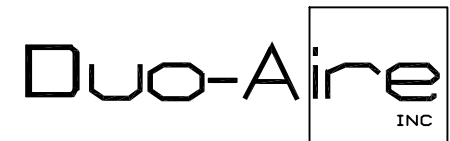
STANDARD FEATURES:

- DIRECT GAS FIRED UNIT, NATURAL GAS
- ETL CERTIFIED
- GALVANIZED STEEL CASING; UNPAINTED
- DOWN DISCHARGE CONFIGURATION
- MAXITROL SERIES 14
- REMOTE RESET OF FLAME SAFEGUARD
- 24V REMOTE CONTROL PANEL
- ONE EXHAUST FAN STARTER
- 1" INTERNAL INSULATION
- VIBRATION ISOLATORS
- REMOVABLE BIRDSCREEN

OPTIONAL FEATURES:

NOTES:

SUPPLY AIR FLOW RANGE: 3,200 CFM TO 6,800 CFM



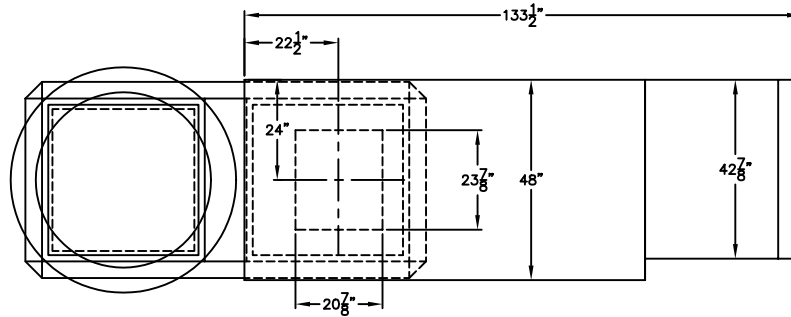
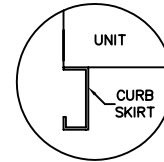
GENERAL NOTES

UNLESS OTHERWISE NOTED, ALL EXTERIOR SURFACES WILL BE 18 GA. GALVANIZED STEEL.

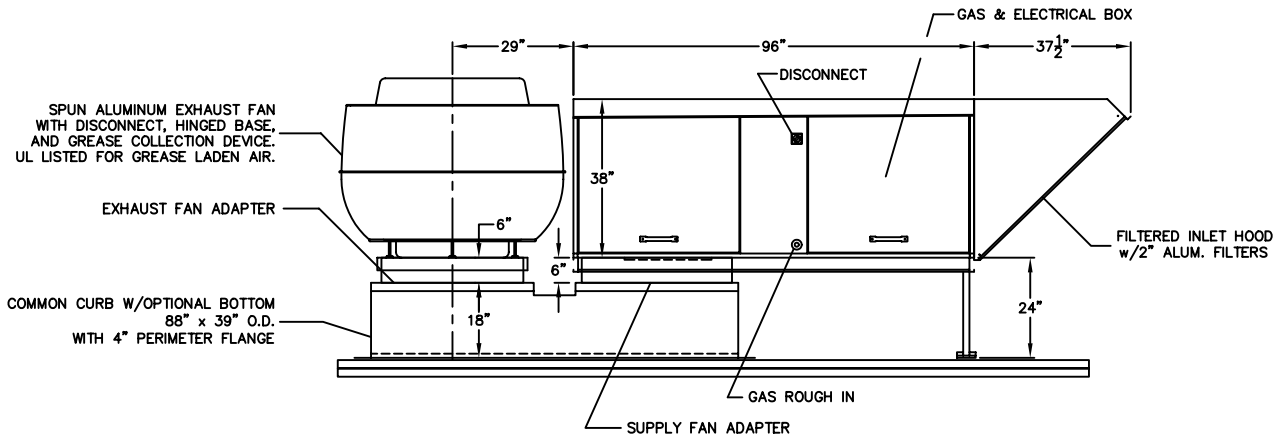
LISTED



CURB SKIRT DETAIL



PLAN VIEW



ELEVATION VIEW

PROJECT NAME:
 REF. NO./DRAWING NO.:
 DATE:

ENGINEERING SPECIFICATIONS

MODEL: CAA-V4-CC		
C.F.M.:	T.S.P.:	E.S.P.:
B.T.U. INPUT: 745,000	GAS LINE SIZE: 3/4"	
MIN. GAS PRESS.: 9" W.C.	MAX. GAS PRESS.: 14" W.C.	
H.P.:	VOLTAGE:	SERVICE AMPS.:
BLOWER MODEL # G18		

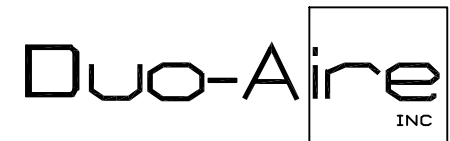
STANDARD FEATURES:

- DIRECT GAS FIRED UNIT, NATURAL GAS
- ETL CERTIFIED
- GALVANIZED STEEL CASING; UNPAINTED
- DOWN DISCHARGE CONFIGURATION
- MAXITROL SERIES 14
- REMOTE RESET OF FLAME SAFEGUARD
- 24V REMOTE CONTROL PANEL
- ONE EXHAUST FAN STARTER
- 1" INTERNAL INSULATION
- VIBRATION ISOLATORS
- REMOVABLE BIRDSCREEN

OPTIONAL FEATURES:

NOTES:

SUPPLY AIR FLOW RANGE: 4,900 CFM TO 8,100 CFM



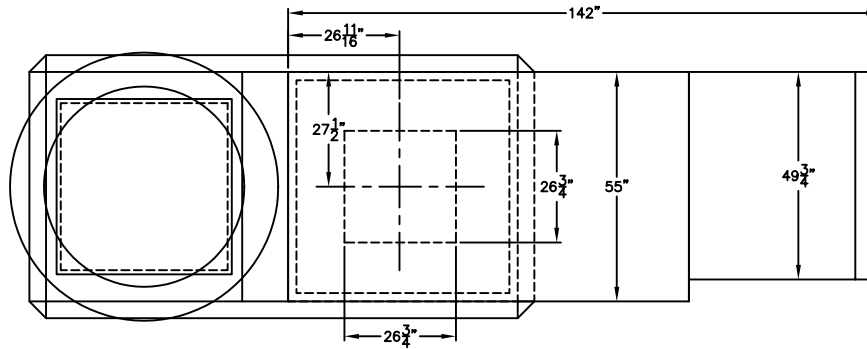
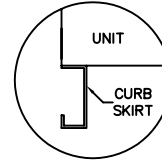
GENERAL NOTES

UNLESS OTHERWISE NOTED, ALL EXTERIOR SURFACES WILL BE 18 GA. GALVANIZED STEEL.

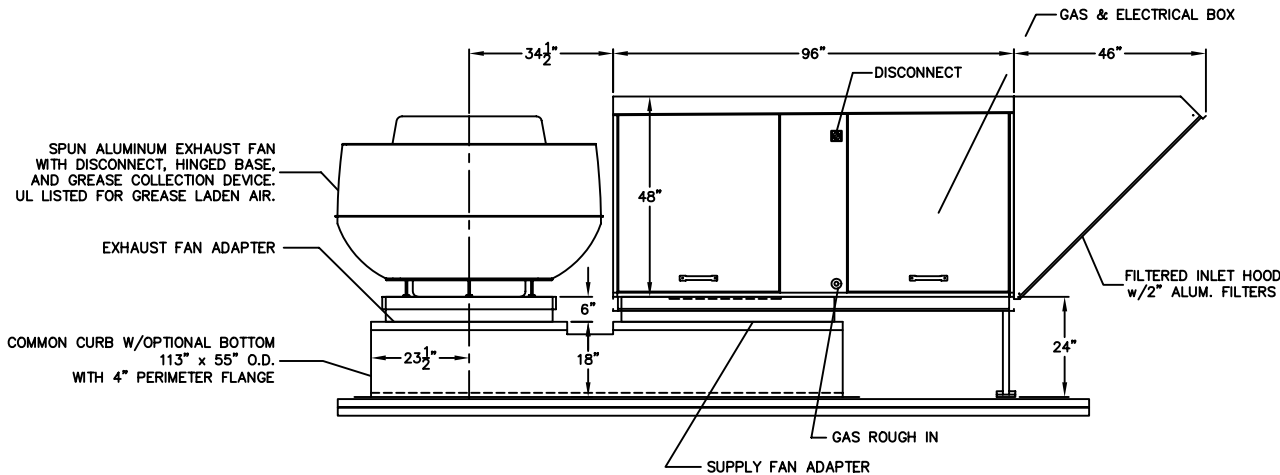
LISTED



CURB SKIRT DETAIL



PLAN VIEW



ELEVATION VIEW

PROJECT NAME:
REF. NO./DRAWING NO.:
DATE:

ENGINEERING SPECIFICATIONS

MODEL: CAA-V5-CC		
C.F.M.:	T.S.P.:	E.S.P.:
B.T.U. INPUT: 1,125,000	GAS LINE SIZE: 1"	
MIN. GAS PRESS.: 13" W.C.	MAX. GAS PRESS.: 28" W.C.	
H.P.:	VOLTAGE:	SERVICE AMPS.:
BLOWER MODEL # 920		

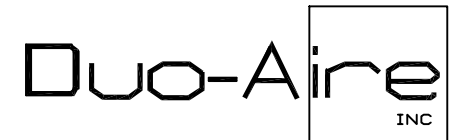
STANDARD FEATURES:

- DIRECT GAS FIRED UNIT, NATURAL GAS
- ETL CERTIFIED
- GALVANIZED STEEL CASING; UNPAINTED
- DOWN DISCHARGE CONFIGURATION
- MAXITROL SERIES 14
- REMOTE RESET OF FLAME SAFEGUARD
- 24V REMOTE CONTROL PANEL
- ONE EXHAUST FAN STARTER
- 1" INTERNAL INSULATION
- VIBRATION ISOLATORS
- REMOVABLE BIRDSCREEN

OPTIONAL FEATURES:

NOTES:

SUPPLY AIR FLOW RANGE: 6,800 CFM TO 13,000 CFM



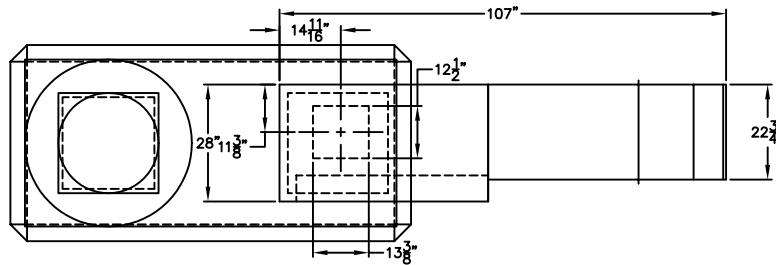
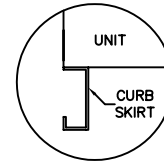
GENERAL NOTES

UNLESS OTHERWISE NOTED, ALL EXTERIOR SURFACES WILL BE 18 GA. GALVANIZED STEEL.

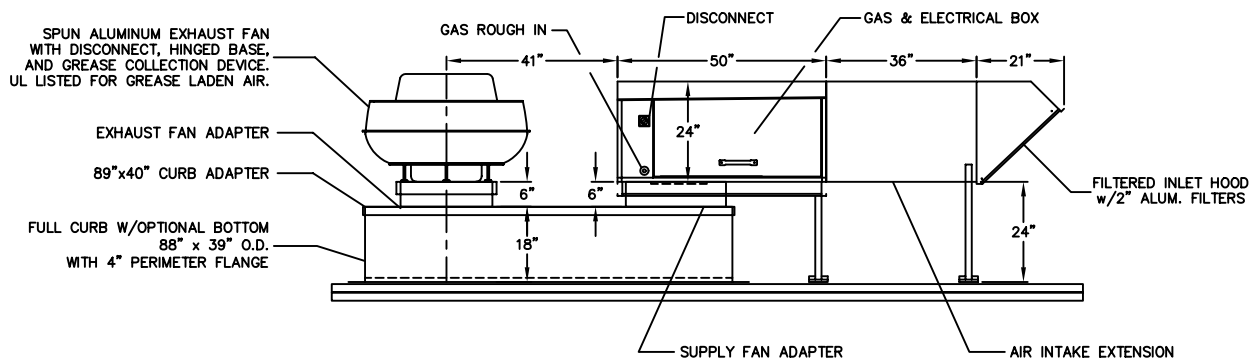
LISTED



CURB SKIRT DETAIL



PLAN VIEW



ELEVATION VIEW

PROJECT NAME:
 REF. NO./DRAWING NO.:
 DATE:

ENGINEERING SPECIFICATIONS

MODEL: CAA-VI-CC		
C.F.M.:	T.S.P.:	E.S.P.:
B.T.U. INPUT: 155,000	GAS LINE SIZE: 1/2"	
MIN. GAS PRESS.: 7" W.C.	MAX. GAS PRESS.: 14" W.C.	
H.P.:	VOLTAGE:	SERVICE AMPS.:
BLOWER MODEL # G10-8		

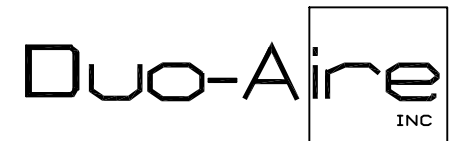
STANDARD FEATURES:

- DIRECT GAS FIRED UNIT, NATURAL GAS
- ETL CERTIFIED
- GALVANIZED STEEL CASING; UNPAINTED
- DOWN DISCHARGE CONFIGURATION
- MAXITROL SERIES 14
- REMOTE RESET OF FLAME SAFEGUARD
- 24V REMOTE CONTROL PANEL
- ONE EXHAUST FAN STARTER
- 1" INTERNAL INSULATION
- VIBRATION ISOLATORS
- REMOVABLE BIRDSCREEN

OPTIONAL FEATURES:

NOTES:

SUPPLY AIR FLOW RANGE: UP TO 1,700 CFM



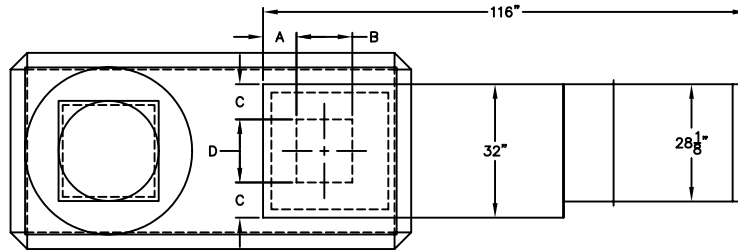
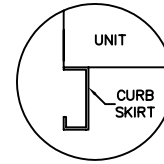
GENERAL NOTES

UNLESS OTHERWISE NOTED, ALL EXTERIOR SURFACES WILL BE 18 GA. GALVANIZED STEEL.

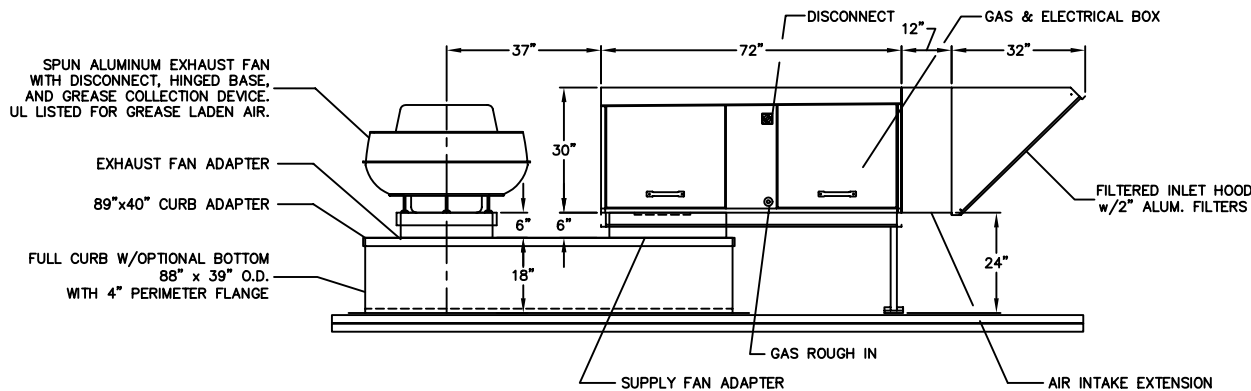
LISTED



CURB SKIRT DETAIL



PLAN VIEW



ELEVATION VIEW

CFM RANGE	FAN SIZE	A	B	C	D
1,600-2,400	G10	8	13 3/8	8 7/16	15 1/8
2,401-3,500	G12	9 1/4	15 7/16	7 3/16	17 5/8

PROJECT NAME:
 REF. NO./DRAWING NO.:
 DATE:

ENGINEERING SPECIFICATIONS

MODEL: CAA-V2-CC
 C.F.M.: T.S.P.: E.S.P.:
 B.T.U. INPUT: 290,000 GAS LINE SIZE: 1/2"
 MIN. GAS PRESS.: 8" W.C. MAX. GAS PRESS.: 14" W.C.
 H.P.: VOLTAGE: SERVICE AMPS.:
 BLOWER MODEL # G10 OR G12

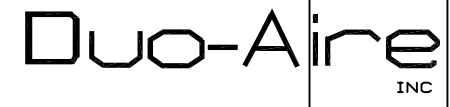
STANDARD FEATURES:

- DIRECT GAS FIRED UNIT, NATURAL GAS
- ETL CERTIFIED
- GALVANIZED STEEL CASING; UNPAINTED
- DOWN DISCHARGE CONFIGURATION
- MAXITROL SERIES 14
- REMOTE RESET OF FLAME SAFEGUARD
- 24V REMOTE CONTROL PANEL
- ONE EXHAUST FAN STARTER
- 1" INTERNAL INSULATION
- VIBRATION ISOLATORS
- REMOVABLE BIRDSCREEN

OPTIONAL FEATURES:

NOTES:

SUPPLY AIR FLOW RANGE: 1,600 CFM TO 3,500 CFM



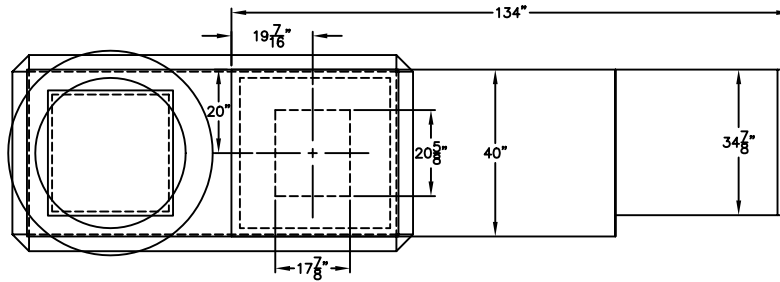
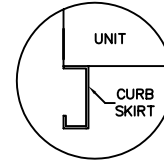
GENERAL NOTES

UNLESS OTHERWISE NOTED, ALL EXTERIOR SURFACES WILL BE 18 GA. GALVANIZED STEEL.

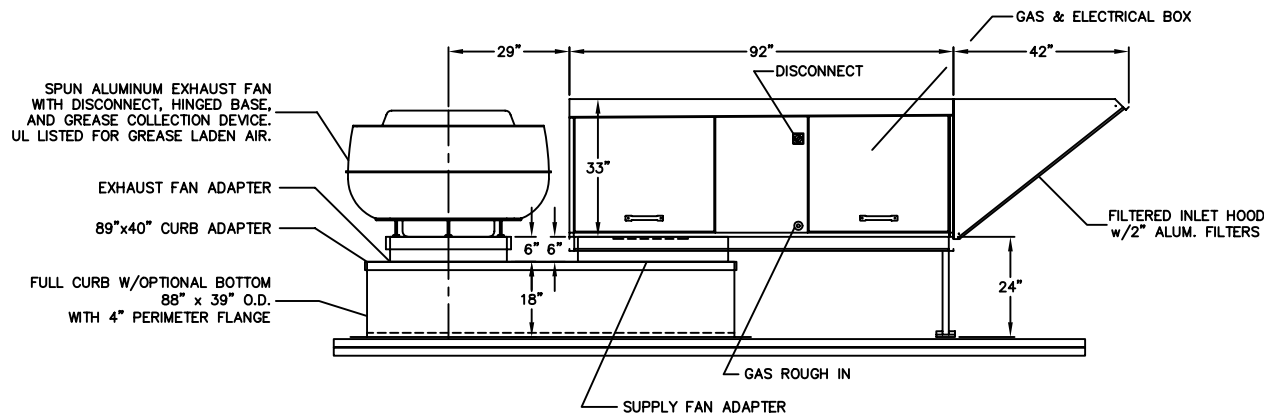
LISTED



CURB SKIRT DETAIL



PLAN VIEW



ELEVATION VIEW

PROJECT NAME:
 REF. NO./DRAWING NO.:
 DATE:

ENGINEERING SPECIFICATIONS

MODEL: CAA-V3-CC		
C.F.M.:	T.S.P.:	E.S.P.:
B.T.U. INPUT: 625,000	GAS LINE SIZE: 3/4"	
MIN. GAS PRESS.: 8" W.C.	MAX. GAS PRESS.: 14" W.C.	
H.P.:	VOLTAGE:	SERVICE AMPS.:
BLOWER MODEL # G15		

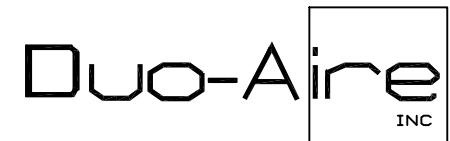
STANDARD FEATURES:

- DIRECT GAS FIRED UNIT, NATURAL GAS
- ETL CERTIFIED
- GALVANIZED STEEL CASING; UNPAINTED
- DOWN DISCHARGE CONFIGURATION
- MAXITROL SERIES 14
- REMOTE RESET OF FLAME SAFEGUARD
- 24V REMOTE CONTROL PANEL
- ONE EXHAUST FAN STARTER
- 1" INTERNAL INSULATION
- VIBRATION ISOLATORS
- REMOVABLE BIRDSCREEN

OPTIONAL FEATURES:

NOTES:

SUPPLY AIR FLOW RANGE: 3,200 CFM TO 6,800 CFM



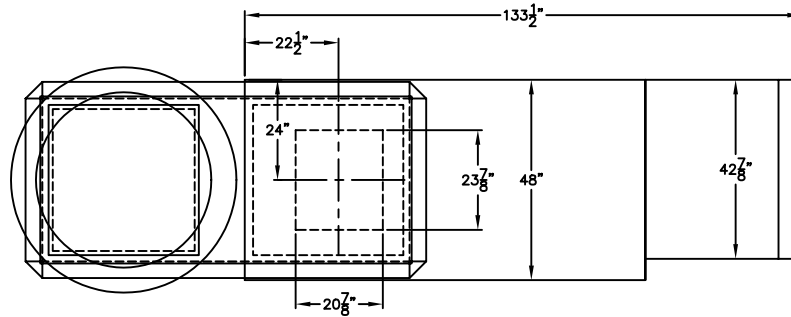
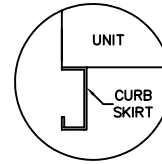
GENERAL NOTES

UNLESS OTHERWISE NOTED, ALL EXTERIOR SURFACES WILL BE 18 GA. GALVANIZED STEEL.

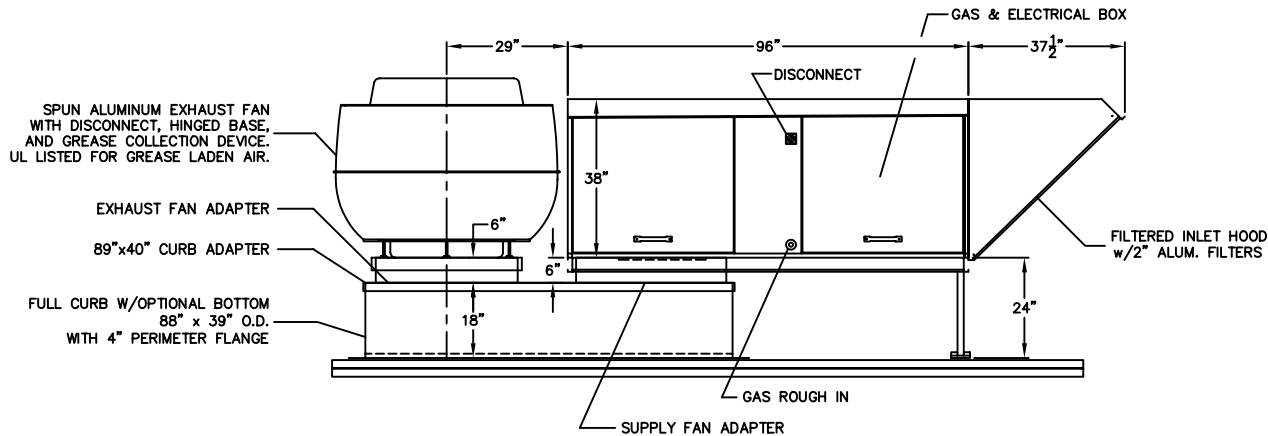
LISTED



CURB SKIRT DETAIL



PLAN VIEW



ELEVATION VIEW

PROJECT NAME:
 REF. NO./DRAWING NO.:
 DATE:

ENGINEERING SPECIFICATIONS

MODEL: CAA-V4-CC
 C.F.M.: T.S.P.: E.S.P.:
 B.T.U. INPUT: 745,000 GAS LINE SIZE: 3/4"
 MIN. GAS PRESS.: 9" W.C. MAX. GAS PRESS.: 14" W.C.
 H.P.: VOLTAGE: SERVICE AMPS.:
 BLOWER MODEL # G18

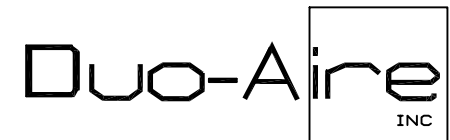
STANDARD FEATURES:

- DIRECT GAS FIRED UNIT, NATURAL GAS
- ETL CERTIFIED
- GALVANIZED STEEL CASING; UNPAINTED
- DOWN DISCHARGE CONFIGURATION
- MAXITROL SERIES 14
- REMOTE RESET OF FLAME SAFEGUARD
- 24V REMOTE CONTROL PANEL
- ONE EXHAUST FAN STARTER
- 1" INTERNAL INSULATION
- VIBRATION ISOLATORS
- REMOVABLE BIRDSCREEN

OPTIONAL FEATURES:

NOTES:

SUPPLY AIR FLOW RANGE: 4,900 CFM TO 8,100 CFM



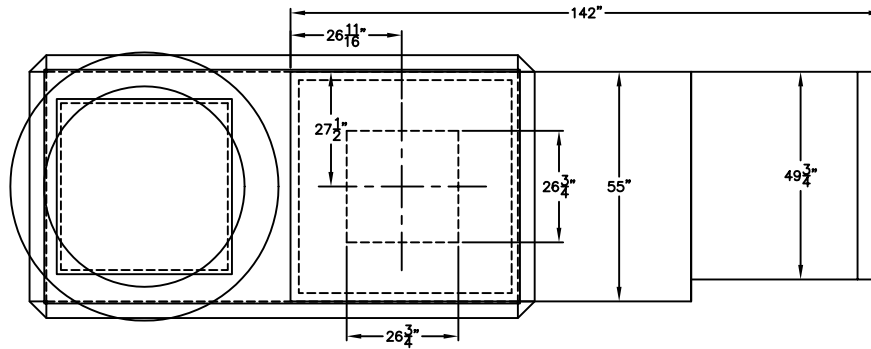
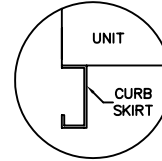
GENERAL NOTES

UNLESS OTHERWISE NOTED, ALL EXTERIOR SURFACES WILL BE 18 GA. GALVANIZED STEEL.

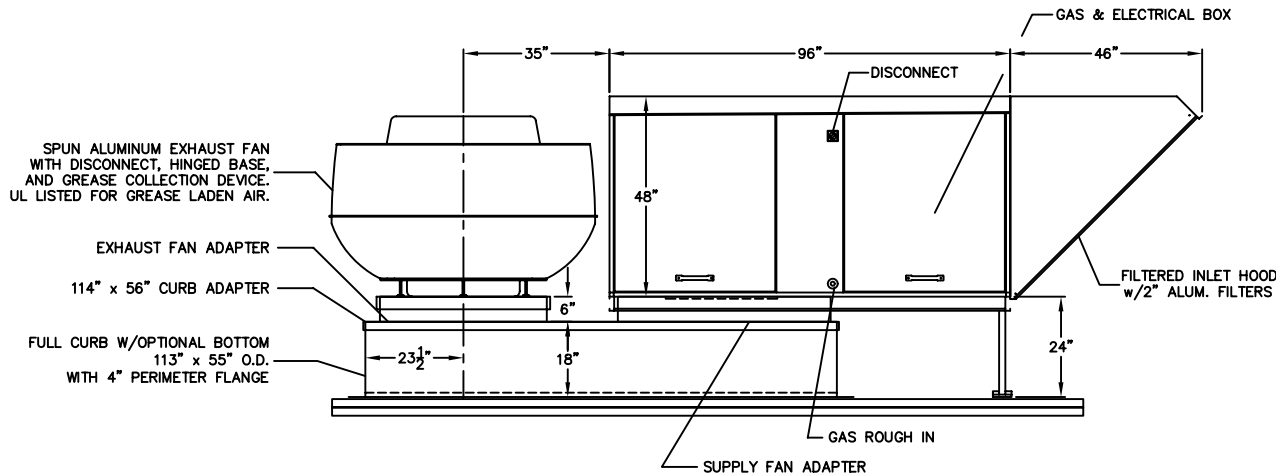
LISTED



CURB SKIRT DETAIL



PLAN VIEW



ELEVATION VIEW

PROJECT NAME:
REF. NO./DRAWING NO.:
DATE:

ENGINEERING SPECIFICATIONS

MODEL: CAA-V5-CC		
C.F.M.:	T.S.P.:	E.S.P.:
B.T.U. INPUT: 1,125,000	GAS LINE SIZE: 1"	
MIN. GAS PRESS.: 13" W.C.	MAX. GAS PRESS.: 28" W.C.	
H.P.:	VOLTAGE:	SERVICE AMPS.:
BLOWER MODEL # 920		

STANDARD FEATURES:

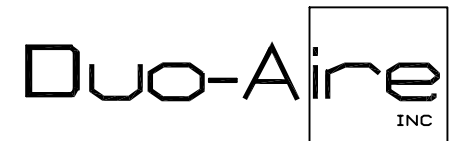
- DIRECT GAS FIRED UNIT, NATURAL GAS
- ETL CERTIFIED
- GALVANIZED STEEL CASING; UNPAINTED
- DOWN DISCHARGE CONFIGURATION
- MAXITROL SERIES 14
- REMOTE RESET OF FLAME SAFEGUARD
- 24V REMOTE CONTROL PANEL
- ONE EXHAUST FAN STARTER
- 1" INTERNAL INSULATION
- VIBRATION ISOLATORS
- REMOVABLE BIRDSCREEN

OPTIONAL FEATURES:

-
-
-
-

NOTES:

SUPPLY AIR FLOW RANGE: 6,800 CFM TO 13,000 CFM



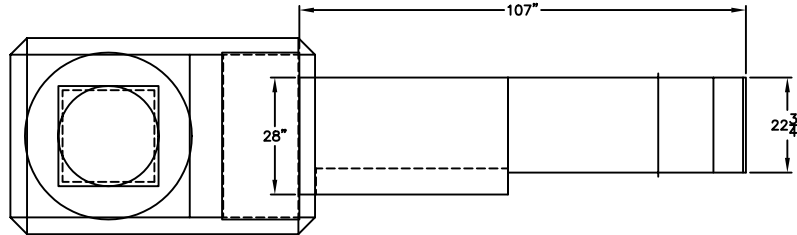
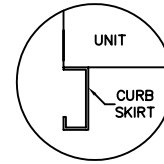
GENERAL NOTES

UNLESS OTHERWISE NOTED, ALL EXTERIOR SURFACES WILL BE 18 GA. GALVANIZED STEEL.

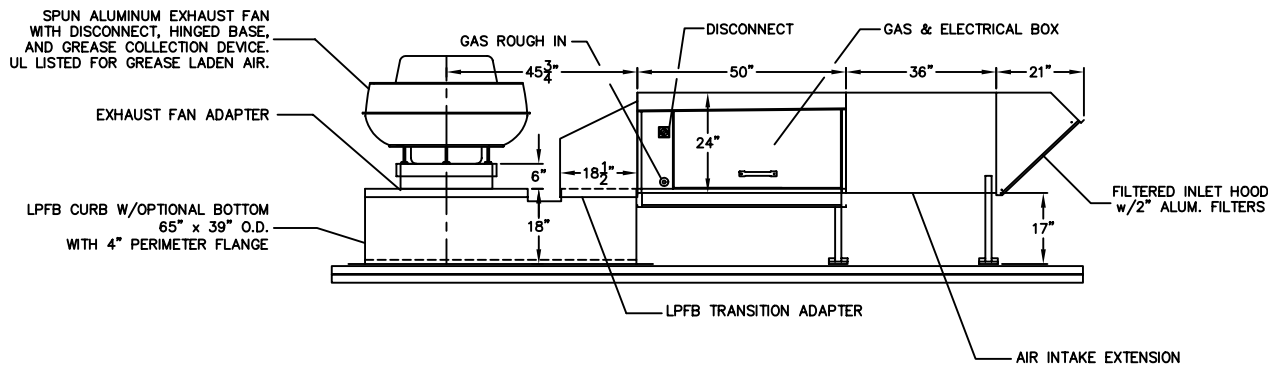
LISTED



CURB SKIRT DETAIL



PLAN VIEW



ELEVATION VIEW

PROJECT NAME:
 REF. NO./DRAWING NO.:
 DATE:

ENGINEERING SPECIFICATIONS

MODEL: CAA-V1-LPFB		
C.F.M.:	T.S.P.:	E.S.P.:
B.T.U. INPUT: 155,000	GAS LINE SIZE: 1/2"	
MIN. GAS PRESS.: 7" W.C.	MAX. GAS PRESS.: 14" W.C.	
H.P.:	VOLTAGE:	SERVICE AMPS.:
BLOWER MODEL # G10-8		

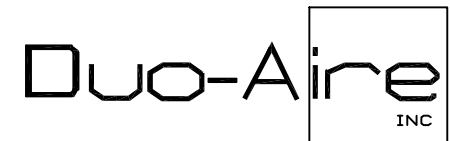
STANDARD FEATURES:

- DIRECT GAS FIRED UNIT, NATURAL GAS
- ETL CERTIFIED
- GALVANIZED STEEL CASING; UNPAINTED
- HORIZONTAL DISCHARGE CONFIGURATION
- MAXITROL SERIES 14
- REMOTE RESET OF FLAME SAFEGUARD
- 24V REMOTE CONTROL PANEL
- ONE EXHAUST FAN STARTER
- 1" INTERNAL INSULATION
- VIBRATION ISOLATORS
- REMOVABLE BIRDSCREEN

OPTIONAL FEATURES:

NOTES:

SUPPLY AIR FLOW RANGE: UP TO 1,700 CFM



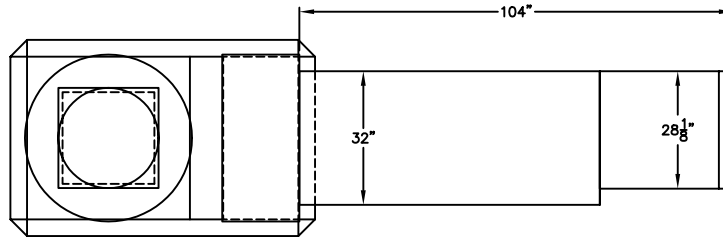
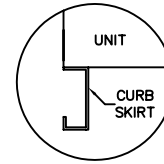
GENERAL NOTES

UNLESS OTHERWISE NOTED, ALL EXTERIOR SURFACES WILL BE 18 GA. GALVANIZED STEEL.

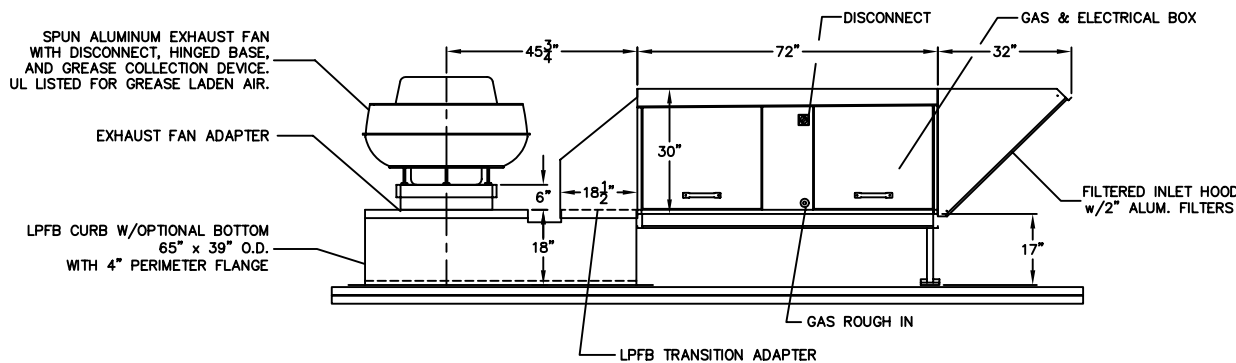
LISTED



CURB SKIRT DETAIL



PLAN VIEW



ELEVATION VIEW

PROJECT NAME:

REF. NO./DRAWING NO.:

DATE:

ENGINEERING SPECIFICATIONS

MODEL: CAA-V2-LPFB

C.F.M.: T.S.P.: E.S.P.:

B.T.U. INPUT: 290,000 GAS LINE SIZE: 1/2"

MIN. GAS PRESS.: 8" W.C. MAX. GAS PRESS.: 14" W.C.

H.P.: VOLTAGE: SERVICE AMPS.:

BLOWER MODEL # G10 OR G12

STANDARD FEATURES:

DIRECT GAS FIRED UNIT, NATURAL GAS

ETL CERTIFIED

GALVANIZED STEEL CASING; UNPAINTED

HORIZONTAL DISCHARGE CONFIGURATION

MAXITROL SERIES 14

REMOTE RESET OF FLAME SAFEGUARD

24V REMOTE CONTROL PANEL

ONE EXHAUST FAN STARTER

1" INTERNAL INSULATION

VIBRATION ISOLATORS

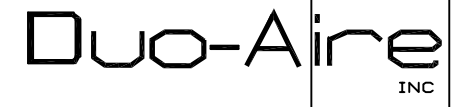
REMOVABLE BIRDSCREEN

OPTIONAL FEATURES:

NOTES:

SUPPLY AIR FLOW RANGE: 1,600 CFM TO 3,500 CFM

CFM RANGE	FAN SIZE
1,600-2,400	G10
2,401-3,500	G12



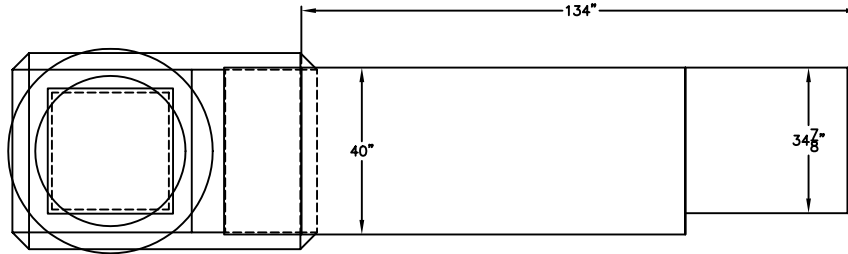
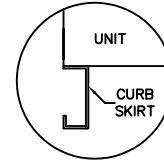
GENERAL NOTES

UNLESS OTHERWISE NOTED, ALL EXTERIOR SURFACES WILL BE 18 GA. GALVANIZED STEEL.

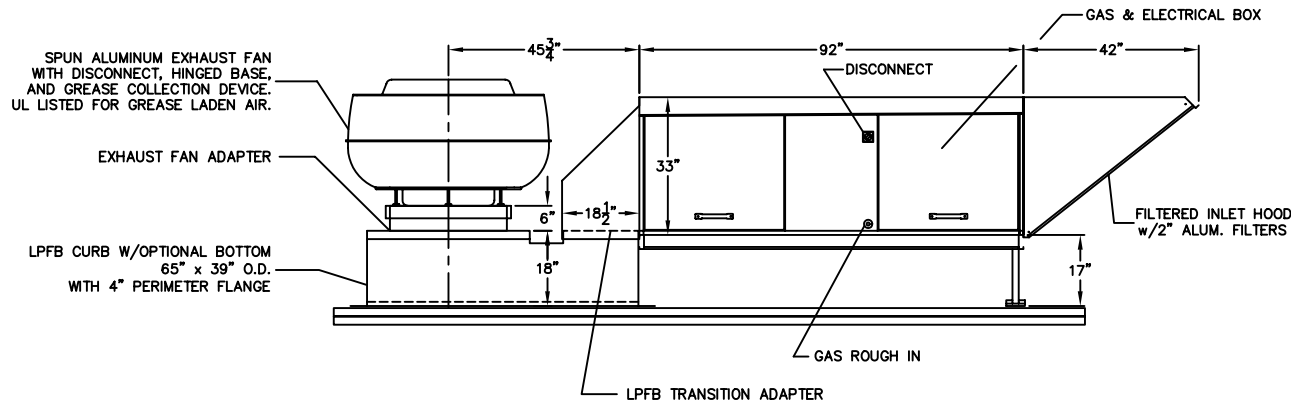
LISTED



CURB SKIRT DETAIL



PLAN VIEW



ELEVATION VIEW

PROJECT NAME:

REF. NO./DRAWING NO.:

DATE:

ENGINEERING SPECIFICATIONS

MODEL: CAA-V3-LPFB

C.F.M.: T.S.P.: E.S.P.:

B.T.U. INPUT: 625,000 GAS LINE SIZE: 3/4"

MIN. GAS PRESS.: 8" W.C. MAX. GAS PRESS.: 14" W.C.

H.P.: VOLTAGE: SERVICE AMPS.:

BLOWER MODEL # G15

STANDARD FEATURES:

DIRECT GAS FIRED UNIT, NATURAL GAS

ETL CERTIFIED

GALVANIZED STEEL CASING; UNPAINTED

HORIZONTAL DISCHARGE CONFIGURATION

MAXITROL SERIES 14

REMOTE RESET OF FLAME SAFEGUARD

24V REMOTE CONTROL PANEL

ONE EXHAUST FAN STARTER

1" INTERNAL INSULATION

VIBRATION ISOLATORS

REMOVABLE BIRDSCREEN

OPTIONAL FEATURES:

NOTES:

SUPPLY AIR FLOW RANGE: 3,200 CFM TO 6,800 CFM

Duo-Aire
INC

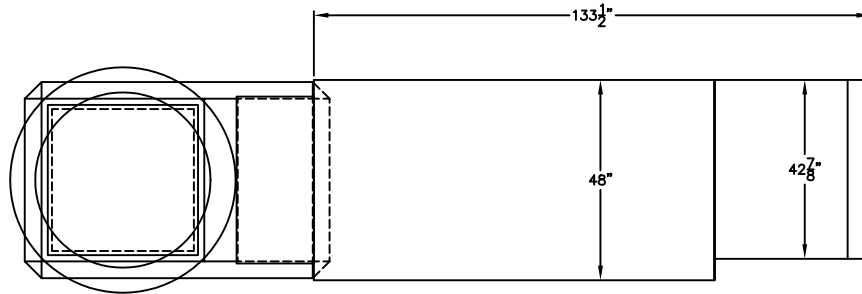
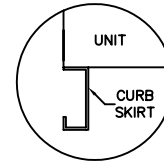
GENERAL NOTES

UNLESS OTHERWISE NOTED, ALL EXTERIOR SURFACES WILL BE 18 GA. GALVANIZED STEEL.

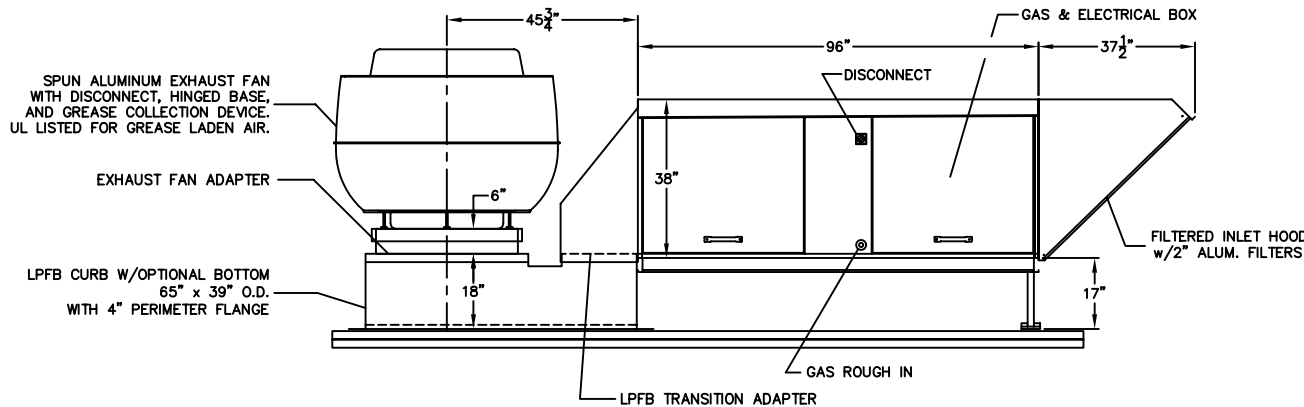
LISTED



CURB SKIRT DETAIL



PLAN VIEW



ELEVATION VIEW

PROJECT NAME: _____
 REF. NO./DRAWING NO.: _____
 DATE: _____

ENGINEERING SPECIFICATIONS

MODEL: CAA-V4-LPFB		
C.F.M.:	T.S.P.:	E.S.P.:
B.T.U. INPUT: 745,000	GAS LINE SIZE: 3/4"	
MIN. GAS PRESS.: 9" W.C.	MAX. GAS PRESS.: 14" W.C.	
H.P.:	VOLTAGE:	SERVICE AMPS.:
BLOWER MODEL # G18		

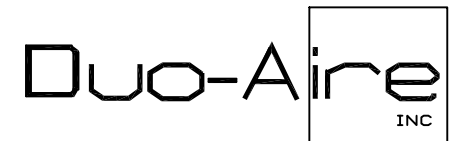
STANDARD FEATURES:

- DIRECT GAS FIRED UNIT, NATURAL GAS
- ETL CERTIFIED
- GALVANIZED STEEL CASING; UNPAINTED
- HORIZONTAL DISCHARGE CONFIGURATION
- MAXITROL SERIES 14
- REMOTE RESET OF FLAME SAFEGUARD
- 24V REMOTE CONTROL PANEL
- ONE EXHAUST FAN STARTER
- 1" INTERNAL INSULATION
- VIBRATION ISOLATORS
- REMOVABLE BIRDSCREEN

OPTIONAL FEATURES:

NOTES:

SUPPLY AIR FLOW RANGE: 4,900 CFM TO 8,100 CFM



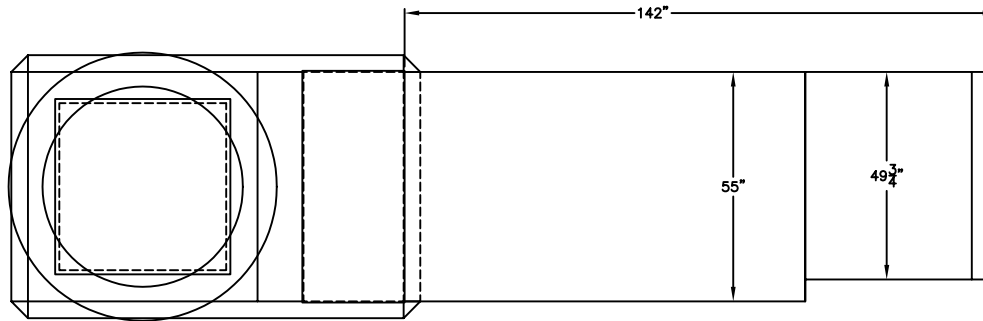
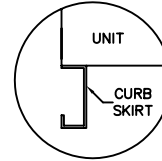
GENERAL NOTES

UNLESS OTHERWISE NOTED, ALL EXTERIOR SURFACES WILL BE 18 GA. GALVANIZED STEEL.

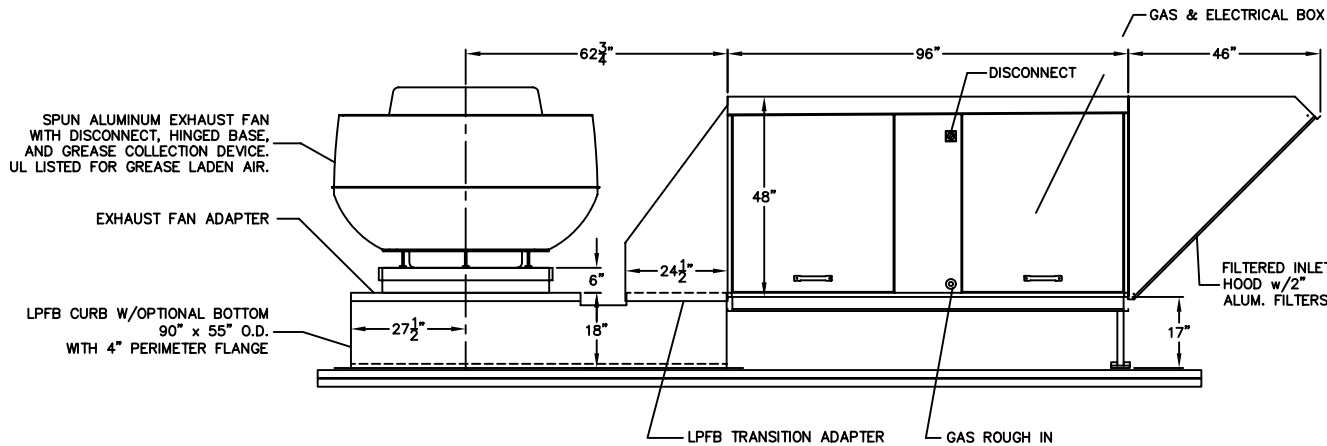
LISTED



CURB SKIRT DETAIL



PLAN VIEW



ELEVATION VIEW

PROJECT NAME:
 REF. NO./DRAWING NO.:
 DATE:

ENGINEERING SPECIFICATIONS

MODEL: CAA-V5-LPFB		
C.F.M.:	T.S.P.:	E.S.P.:
B.T.U. INPUT: 1,125,000	GAS LINE SIZE: 1"	
MIN. GAS PRESS.: 13" W.C.	MAX. GAS PRESS.: 28" W.C.	
H.P.:	VOLTAGE:	SERVICE AMPS.:
BLOWER MODEL # 920		

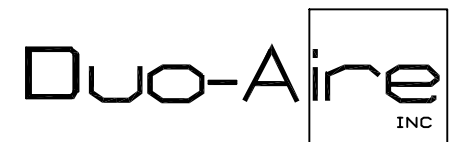
STANDARD FEATURES:

- DIRECT GAS FIRED UNIT, NATURAL GAS
- ETL CERTIFIED
- GALVANIZED STEEL CASING; UNPAINTED
- HORIZONTAL DISCHARGE CONFIGURATION
- MAXITROL SERIES 14
- REMOTE RESET OF FLAME SAFEGUARD
- 24V REMOTE CONTROL PANEL
- ONE EXHAUST FAN STARTER
- 1" INTERNAL INSULATION
- VIBRATION ISOLATORS
- REMOVABLE BIRDSCREEN

OPTIONAL FEATURES:

NOTES:

SUPPLY AIR FLOW RANGE: 6,800 CFM TO 13,000 CFM



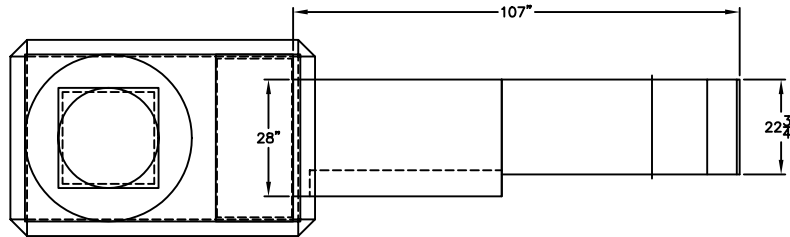
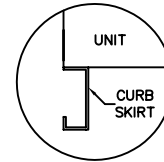
GENERAL NOTES

UNLESS OTHERWISE NOTED, ALL EXTERIOR SURFACES WILL BE 18 GA. GALVANIZED STEEL.

LISTED



CURB SKIRT DETAIL



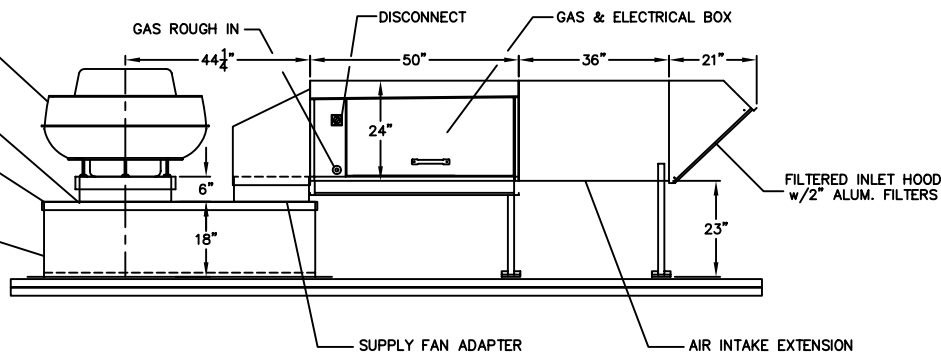
PLAN VIEW

SPUN ALUMINUM EXHAUST FAN WITH DISCONNECT, HINGED BASE, AND GREASE COLLECTION DEVICE. UL LISTED FOR GREASE LADEN AIR.

EXHAUST FAN ADAPTER

66" x 40" CURB ADAPTER

FULL CURB W/OPTIONAL BOTTOM 65" x 39" O.D. WITH 4" PERIMETER FLANGE



ELEVATION VIEW

PROJECT NAME:

REF. NO./DRAWING NO.:

DATE:

ENGINEERING SPECIFICATIONS

MODEL: CAA-V1-LPFB

C.F.M.: T.S.P.: E.S.P.:

B.T.U. INPUT: 155,000 GAS LINE SIZE: 1/2"

MIN. GAS PRESS.: 7" W.C. MAX. GAS PRESS.: 14" W.C.

H.P.: VOLTAGE: SERVICE AMPS.:

BLOWER MODEL # G10-8

STANDARD FEATURES:

DIRECT GAS FIRED UNIT, NATURAL GAS

ETL CERTIFIED

GALVANIZED STEEL CASING; UNPAINTED

HORIZONTAL DISCHARGE CONFIGURATION

MAXITROL SERIES 14

REMOTE RESET OF FLAME SAFEGUARD

24V REMOTE CONTROL PANEL

ONE EXHAUST FAN STARTER

1" INTERNAL INSULATION

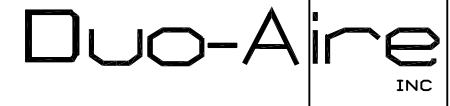
VIBRATION ISOLATORS

REMOVABLE BIRDSCREEN

OPTIONAL FEATURES:

NOTES:

SUPPLY AIR FLOW RANGE: UP TO 1,700 CFM



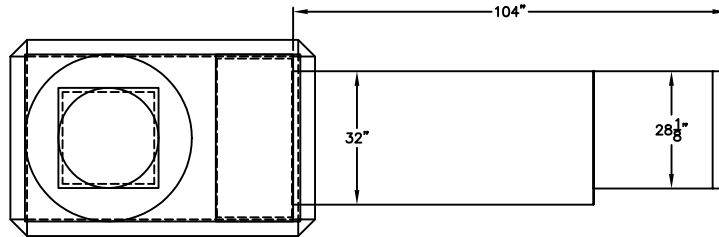
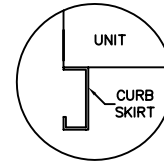
GENERAL NOTES

UNLESS OTHERWISE NOTED, ALL EXTERIOR SURFACES WILL BE 18 GA. GALVANIZED STEEL.

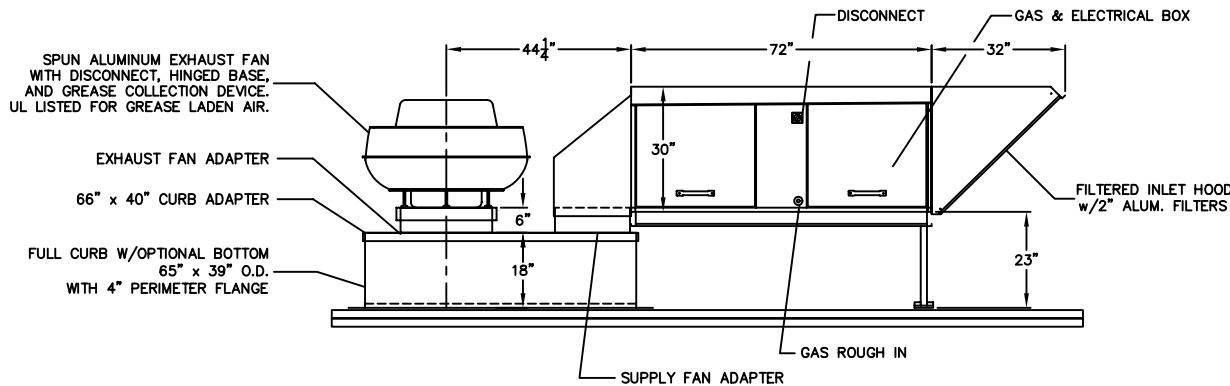
LISTED



CURB SKIRT DETAIL



PLAN VIEW



ELEVATION VIEW

PROJECT NAME: _____
 REF. NO./DRAWING NO.: _____
 DATE: _____

ENGINEERING SPECIFICATIONS

MODEL: CAA-V2-LPFB		
C.F.M.:	T.S.P.:	E.S.P.:
B.T.U. INPUT: 290,000	GAS LINE SIZE: 1/2"	
MIN. GAS PRESS.: 8" W.C.	MAX. GAS PRESS.: 14" W.C.	
H.P.:	VOLTAGE:	SERVICE AMPS.:
BLOWER MODEL # G10 OR G12		

STANDARD FEATURES:

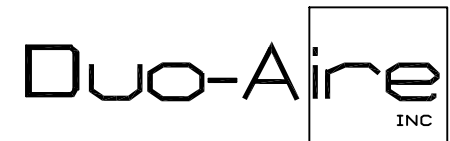
- DIRECT GAS FIRED UNIT, NATURAL GAS
- ETL CERTIFIED
- GALVANIZED STEEL CASING; UNPAINTED
- HORIZONTAL DISCHARGE CONFIGURATION
- MAXITROL SERIES 14
- REMOTE RESET OF FLAME SAFEGUARD
- 24V REMOTE CONTROL PANEL
- ONE EXHAUST FAN STARTER
- 1" INTERNAL INSULATION
- VIBRATION ISOLATORS
- REMOVABLE BIRDSCREEN

OPTIONAL FEATURES:

NOTES:

SUPPLY AIR FLOW RANGE: 1,600 CFM TO 3,500 CFM

CFM RANGE	FAN SIZE
1,600-2,400	G10
2,401-3,500	G12



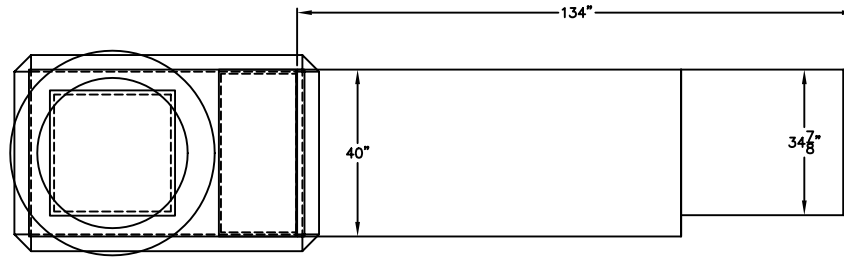
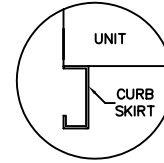
GENERAL NOTES

UNLESS OTHERWISE NOTED, ALL EXTERIOR SURFACES WILL BE 18 GA. GALVANIZED STEEL.

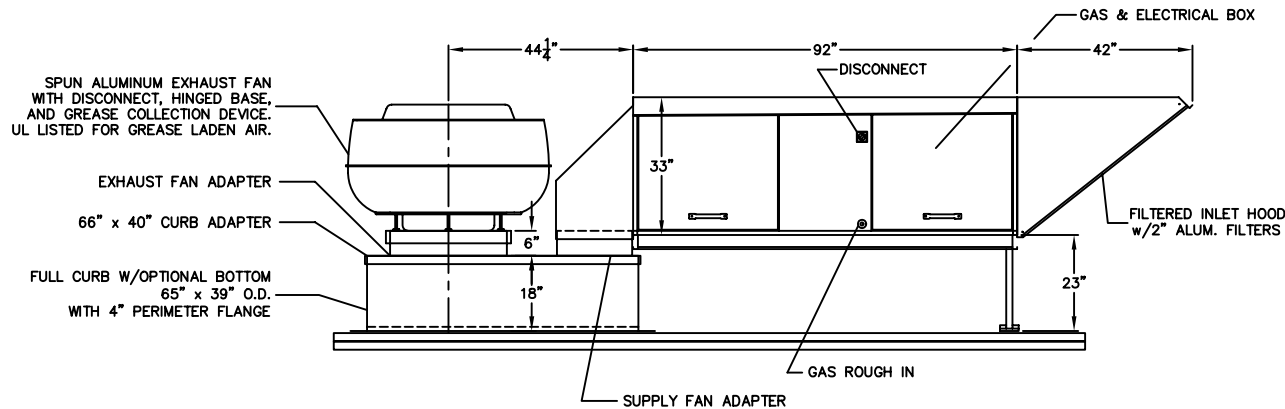
LISTED



CURB SKIRT DETAIL



PLAN VIEW



ELEVATION VIEW

PROJECT NAME:

REF. NO./DRAWING NO.:

DATE:

ENGINEERING SPECIFICATIONS

MODEL: CAA-V3-LPFB

C.F.M.: T.S.P.: E.S.P.:

B.T.U. INPUT: 625,000 GAS LINE SIZE: 3/4"

MIN. GAS PRESS.: 8" W.C. MAX. GAS PRESS.: 14" W.C.

H.P.: VOLTAGE: SERVICE AMPS.:

BLOWER MODEL # G15

STANDARD FEATURES:

DIRECT GAS FIRED UNIT, NATURAL GAS

ETL CERTIFIED

GALVANIZED STEEL CASING; UNPAINTED

HORIZONTAL DISCHARGE CONFIGURATION

MAXITROL SERIES 14

REMOTE RESET OF FLAME SAFEGUARD

24V REMOTE CONTROL PANEL

ONE EXHAUST FAN STARTER

1" INTERNAL INSULATION

VIBRATION ISOLATORS

REMOVABLE BIRDSCREEN

OPTIONAL FEATURES:

NOTES:

SUPPLY AIR FLOW RANGE: 3,200 CFM TO 6,800 CFM

Duo-Aire
INC

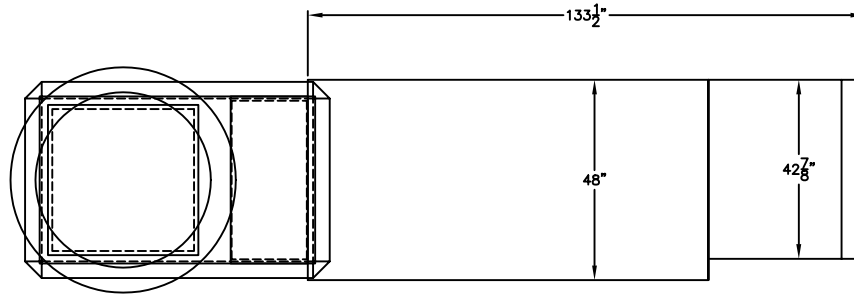
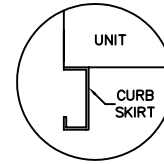
GENERAL NOTES

UNLESS OTHERWISE NOTED, ALL EXTERIOR SURFACES WILL BE 18 GA. GALVANIZED STEEL.

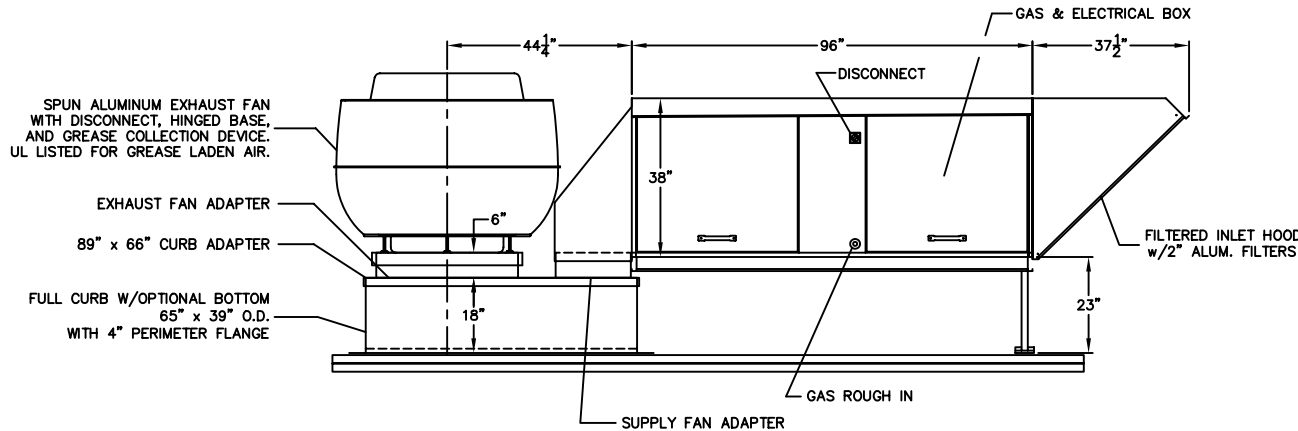
LISTED



CURB SKIRT DETAIL



PLAN VIEW



ELEVATION VIEW

PROJECT NAME:
 REF. NO./DRAWING NO.:
 DATE:

ENGINEERING SPECIFICATIONS

MODEL: CAA-V4-LPFB		
C.F.M.:	T.S.P.:	E.S.P.:
B.T.U. INPUT: 745,000	GAS LINE SIZE: 3/4"	
MIN. GAS PRESS.: 9" W.C.	MAX. GAS PRESS.: 14" W.C.	
H.P.:	VOLTAGE:	SERVICE AMPS.:
BLOWER MODEL # G18		

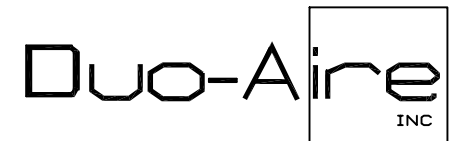
STANDARD FEATURES:

- DIRECT GAS FIRED UNIT, NATURAL GAS
- ETL CERTIFIED
- GALVANIZED STEEL CASING; UNPAINTED
- HORIZONTAL DISCHARGE CONFIGURATION
- MAXITROL SERIES 14
- REMOTE RESET OF FLAME SAFEGUARD
- 24V REMOTE CONTROL PANEL
- ONE EXHAUST FAN STARTER
- 1" INTERNAL INSULATION
- VIBRATION ISOLATORS
- REMOVABLE BIRDSCREEN

OPTIONAL FEATURES:

NOTES:

SUPPLY AIR FLOW RANGE: 4,900 CFM TO 8,100 CFM



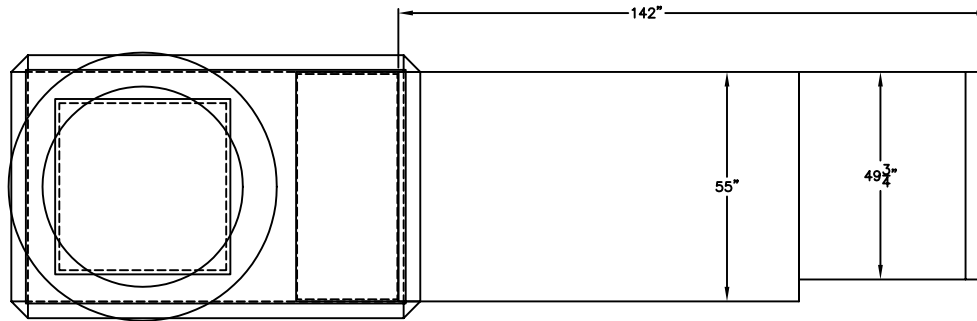
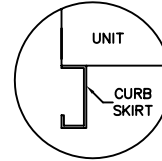
GENERAL NOTES

UNLESS OTHERWISE NOTED, ALL EXTERIOR SURFACES WILL BE 18 GA. GALVANIZED STEEL.

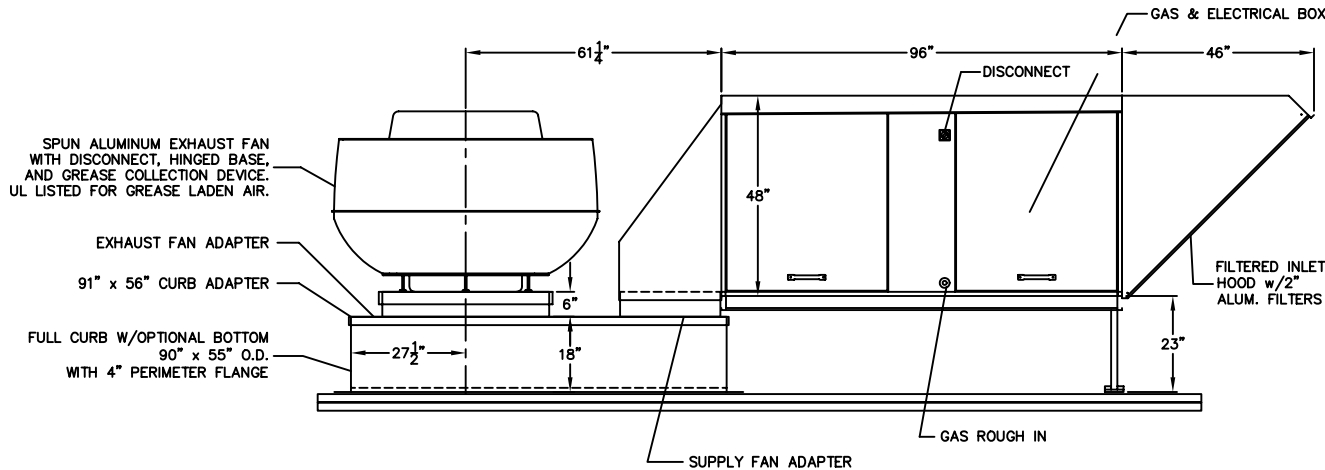
LISTED



CURB SKIRT DETAIL



PLAN VIEW



ELEVATION VIEW

PROJECT NAME:
 REF. NO./DRAWING NO.:
 DATE:

ENGINEERING SPECIFICATIONS

MODEL: CAA-V5-LPFB		
C.F.M.:	T.S.P.:	E.S.P.:
B.T.U. INPUT: 1,125,000	GAS LINE SIZE: 1"	
MIN. GAS PRESS.: 13" W.C.	MAX. GAS PRESS.: 28" W.C.	
H.P.:	VOLTAGE:	SERVICE AMPS.:
BLOWER MODEL # 920		

STANDARD FEATURES:

- DIRECT GAS FIRED UNIT, NATURAL GAS
- ETL CERTIFIED
- GALVANIZED STEEL CASING; UNPAINTED
- HORIZONTAL DISCHARGE CONFIGURATION
- MAXITROL SERIES 14
- REMOTE RESET OF FLAME SAFEGUARD
- 24V REMOTE CONTROL PANEL
- ONE EXHAUST FAN STARTER
- 1" INTERNAL INSULATION
- VIBRATION ISOLATORS
- REMOVABLE BIRDSCREEN

OPTIONAL FEATURES:

NOTES:

SUPPLY AIR FLOW RANGE: 6,800 CFM TO 13,000 CFM

