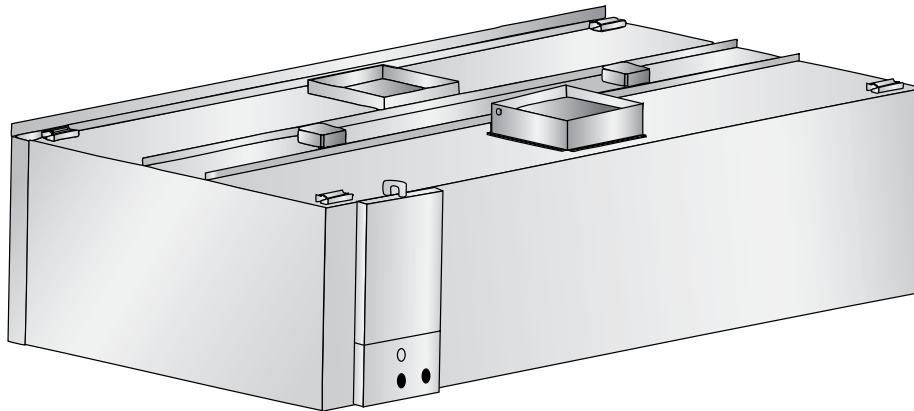


Duo-Aire

VAC-1 Vertical Air Curtain Wall Hood Single Plenum



Model VAC-1

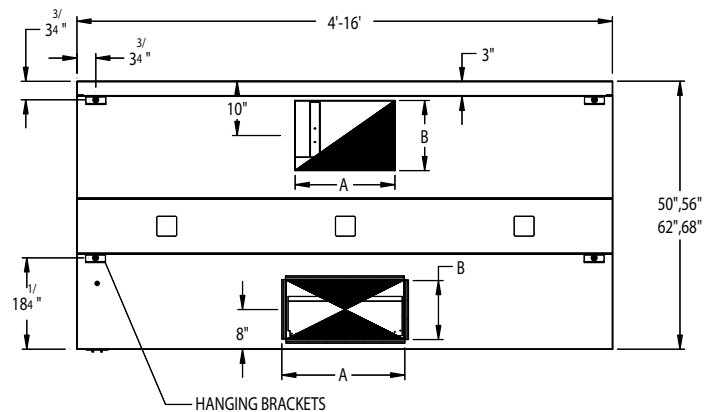
A single plenum vertical air curtain wall ventilator. Constructed of stainless steel where visible and aluminized steel where concealed. The make up air curtain shall be of the low velocity high volume design and shall include adjustable airfoil louvers for directional control of the air curtain. Air curtain shall not exceed 325 feet per minute discharge velocity. The supply air plenum shall contain integral perforated plates to equalize supply air flow along the total length of the supply air slot. Ventilator shall be complete with exhaust collar and supply air collar with UL fire damper. All external seams shall be fluid welded and ground/polished to match ventilator finish. Ventilator to be listed to meet NSF and UL 710 Standards and constructed to meet NFPA-96 requirements. Grease trough to be easily removable and sloped to removable grease cup.

STANDARD FEATURES

- Vertical Air Curtain Supply Air Discharge
- 300 Series Stainless Steel Construction
- UL Listed Aluminum Grease Filters
- UL Listed Pre-Wired Incandescent Lights
- Surface Mounted Control Panel
- Removable Grease Trough and Cup
- UL Listed Supply Fire Damper
- Concentric or Parallel Duct Collars Installed

OPTIONS

- UL Listed Stainless Steel Grease Filters
- UL Listed Fluorescent Lights
- UL Listed Insulated Top, Back and/or Ends for Zero Clearance to Combustible
- 14" Deep Fire Protection Cabinet
- 400 Stainless Steel Where Exposed
- 18 Gauge Aluminized Steel, Painted Exterior
- Full-Integrated Duct and Rooftop Package
- Supply Air Foil Directional Louvers



Plan View

(See reverse side for larger drawing)

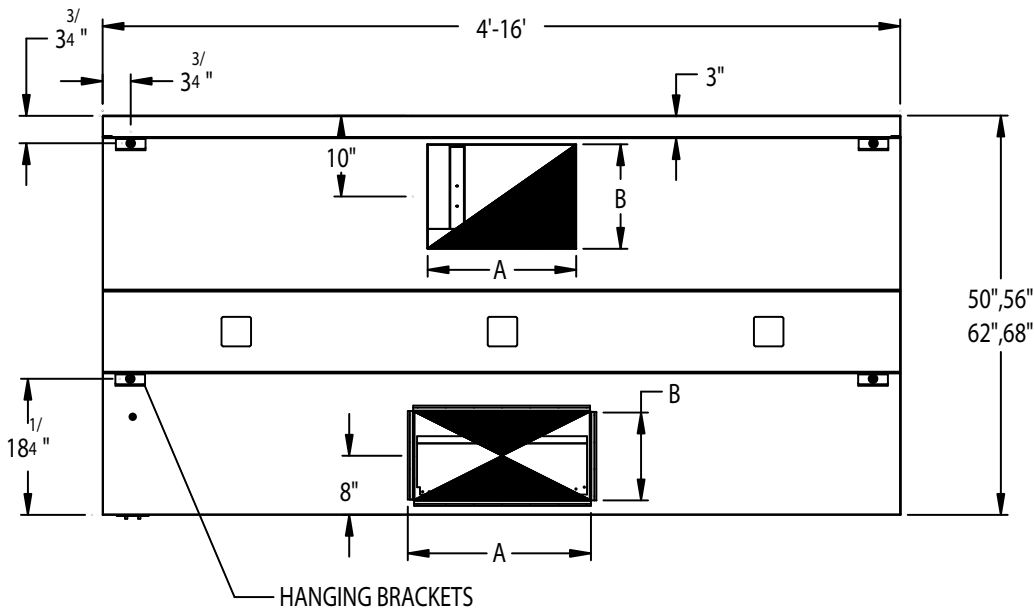
Note: DoubleCollars Required over 14'

BUILT IN
ACCORDANCE
WITH NFPA 96

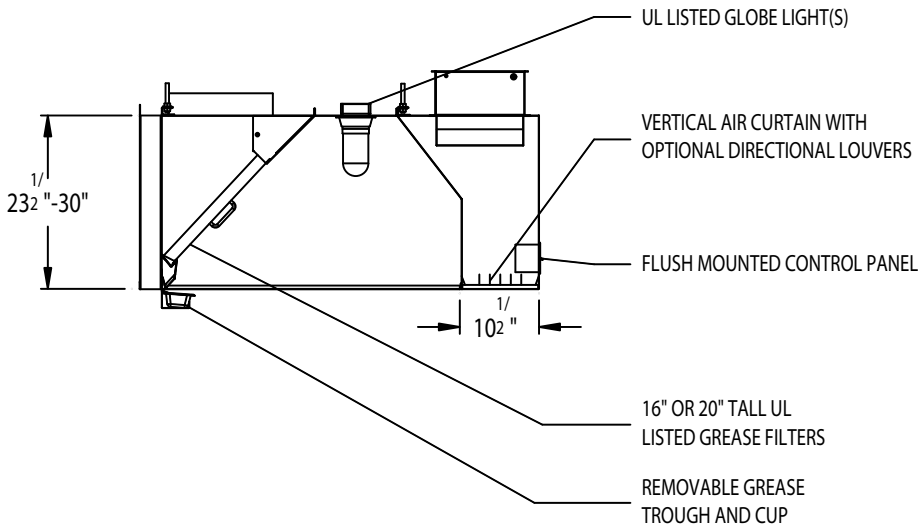


UL # MH 11667 HOODS WITHOUT EXHAUST DAMPERS
UL # MH 10301 HOODS WITH EXHAUST DAMPERS

VAC-1 Vertical Air Curtain Wall Hood Single Plenum



Plan View



Section View

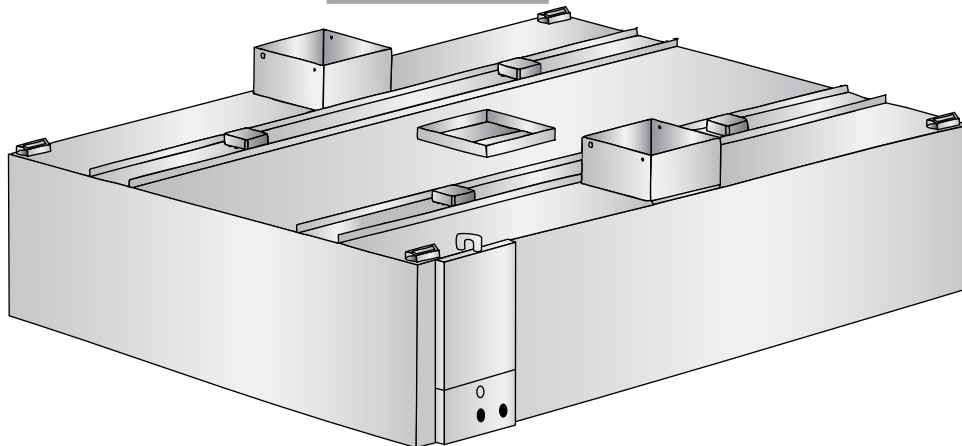
Note: DoubleCollars Required over 14'

| ORDER ENTRY INFORMATION | |
|--|---------|
| Project: | |
| Item: | |
| Representative: | |
| Model: | |
| Length: | Qty: |
| Width: | Height: |
| Duct - Concentric <input type="checkbox"/> | |
| Parallel <input type="checkbox"/> | |
| Exhaust CFM: | |
| Supply CFM: | |
| Entered by: | |
| Date: | |
| Drawings Req'd: | Y N |
| List Miscellaneous Options Separately | |
| Duo-Aire ® | |

Duo-Aire reserves the right to make changes in design and specifications without prior notice.

Duo-Aire

VAC-2 Vertical Air Curtain Single Island Hood



Model VAC-2

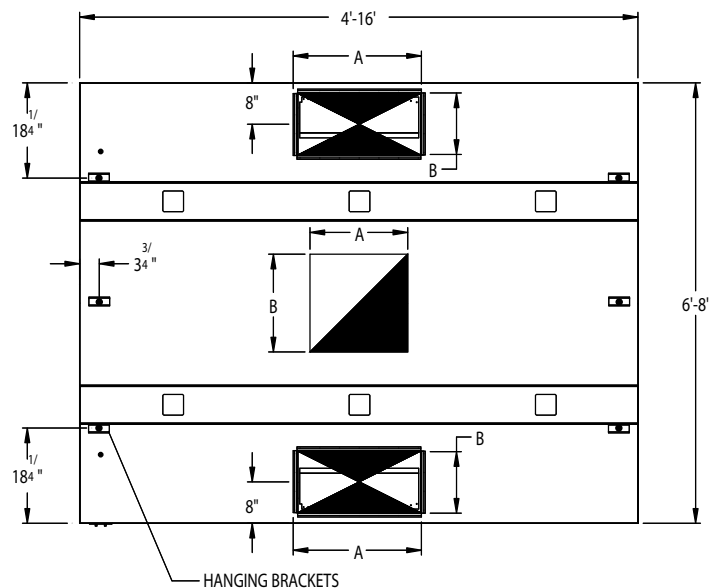
A single plenum vertical air curtain Single Island ventilator. Constructed as one module. Constructed of stainless steel where visible and aluminized steel where concealed. The make up air curtains shall be of the low velocity high volume design and shall include adjustable airfoil louvers for directional control of the air curtain. The supply air curtains shall be the full length of the ventilator, both sides. Air curtain shall not exceed 325 feet per minute discharge velocity. The supply air plenums shall contain integral perforated plates to equalize supply air flow along the total length of the supply air slot. Ventilator shall be complete with exhaust collar and supply air collars with UL fire dampers. All external seams shall be fluid welded and ground/polished to match ventilator finish. Ventilator to be listed to meet NSF and UL 710 Standards and constructed to meet NFPA-96 requirements. Grease trough to be easily removable and sloped to removable grease cup.

STANDARD FEATURES

- Vertical Air Curtain Supply Discharge
- 300 Series Stainless Steel Construction
- UL Listed Aluminum Grease Filters - V Filter Bank
- UL Listed Pre-Wired Incandescent Lights
- Surface Mounted Control Panel
- Removable Grease Trough and Cup
- UL Listed Supply Fire Damper
- Concentric or Parallel Duct Collars Installed

OPTIONS

- UL Listed Stainless Steel Grease Filters
- UL Listed Fluorescent Lights
- UL Listed Insulated Top and/or Ends for Zero Clearance to Combustible
- 14" Deep Fire Protection Cabinet
- 400 Stainless Steel Where Exposed
- 18 Gauge Aluminized Steel, Painted Exterior
- Full-Integrated Duct and Rooftop Package
- Supply Air Foil Directional Louvers



Plan View

(See reverse side for larger drawing)

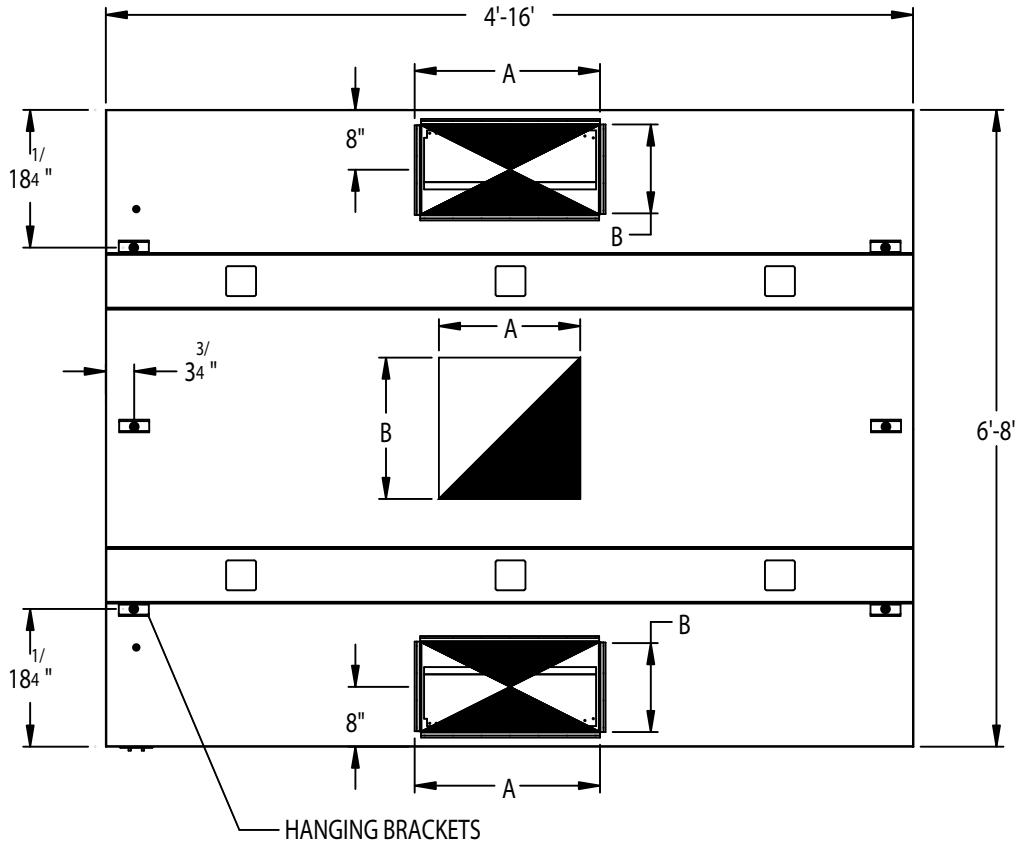
BUILT IN
ACCORDANCE
WITH NFPA 96



UL # MH 11667 HOODS WITHOUT EXHAUST DAMPERS
UL # MH 10301 HOODS WITH EXHAUST DAMPERS

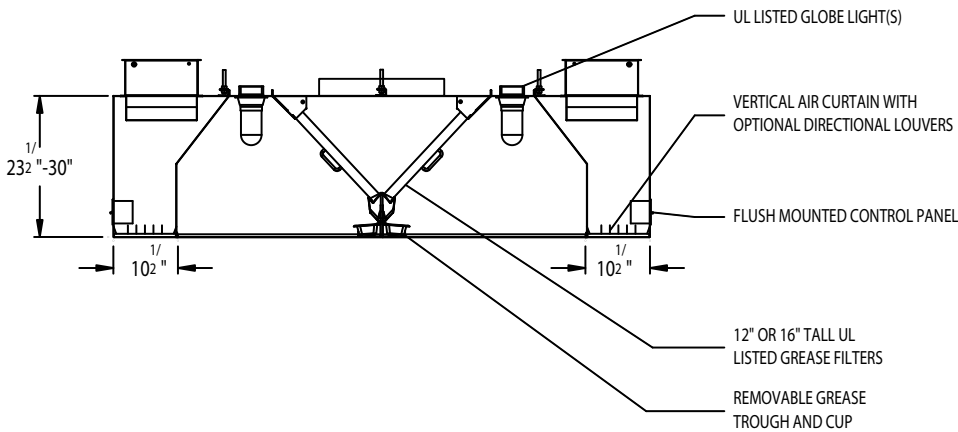
VAC-2 Vertical Air Curtain Single Island Hood

VAC-2 Series Specifications



Plan View

Note: DoubleCollars Required over 14'



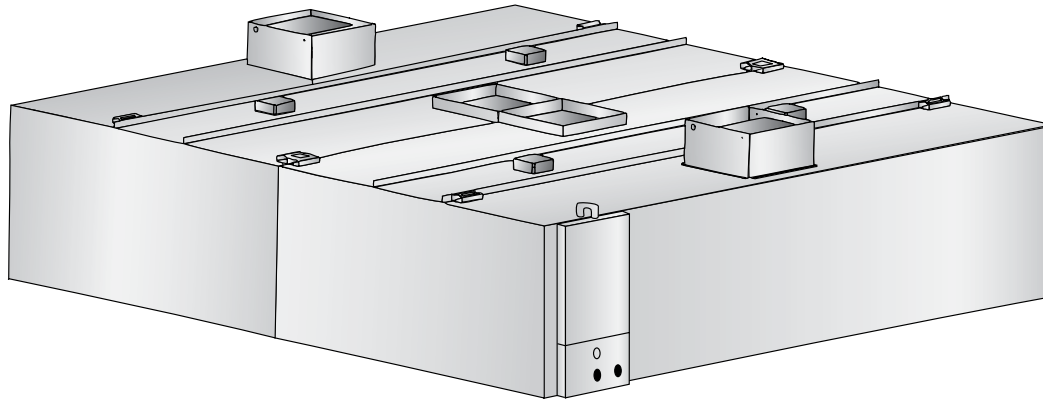
Section View

| ORDER ENTRY INFORMATION | |
|---------------------------------------|--------------------------|
| Project: | |
| Item: | |
| Representative: | |
| Model: | |
| Length: | Qty: |
| Width: | Height: |
| Duct - Concentric | <input type="checkbox"/> |
| Parallel | <input type="checkbox"/> |
| Exhaust CFM: | |
| Supply CFM: | |
| Entered by: | |
| Date: | |
| Drawings Req'd: | Y N |
| List Miscellaneous Options Separately | |
| Duo-Aire [®] | |

Duo-Aire reserves the right to make changes in design and specifications without prior notice.

Duo-Aire

VAC-3 Vertical Air Curtain Double Island Hood



Model VAC-3

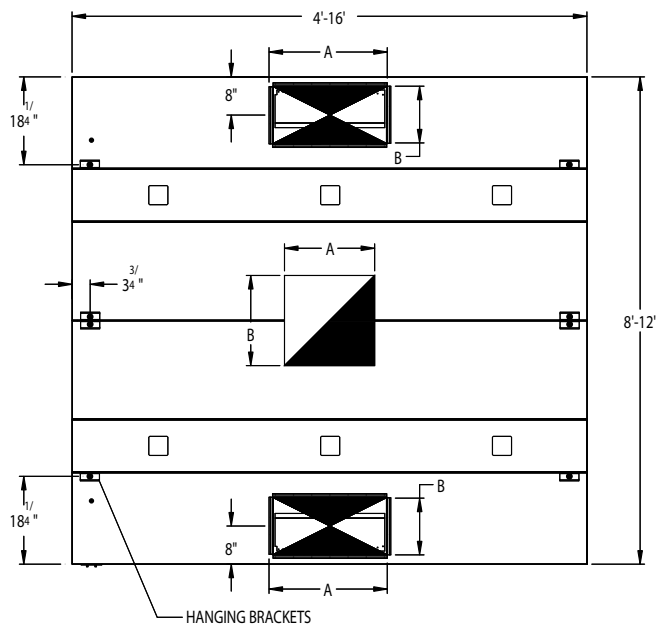
A single plenum vertical air curtain Double Island ventilator. Constructed in two modules, to be mated back to back at time of installation. Constructed of stainless steel where visible and aluminized steel where concealed. The make up air curtains shall be of the low velocity high volume design and shall include adjustable airfoil louvers for directional control of the air curtain. The supply air curtains shall be the full length of the ventilator, both sides. Air curtain shall not exceed 325 feet per minute discharge velocity. The supply air plenums shall contain integral perforated plates to equalize supply air flow along the total length of the supply air slot. Ventilator shall be complete with exhaust collar and supply air collars with UL fire dampers. All external seams shall be fluid welded and ground/polished to match ventilator finish. Ventilator to be listed to meet NSF and UL 710 Standards and constructed to meet NFPA-96 requirements. Grease trough to be easily removable and sloped to removable grease cup.

STANDARD FEATURES

- Vertical Air Curtain Supply Discharge
- 300 Series Stainless Steel Construction
- UL Listed Aluminum Grease Filters
- UL Listed Pre-Wired Incandescent Lights
- Surface Mounted Control Panel
- Removable Grease Trough and Cup
- UL Listed Supply Fire Damper
- Concentric or Parallel Duct Collars Installed

OPTIONS

- UL Listed Stainless Steel Grease Filters
- UL Listed Fluorescent Lights
- 14" Deep Fire Protection Cabinet
- 400 Stainless Steel Where Exposed
- 18 Gauge Aluminized Steel, Painted Exterior
- Full-Integrated Duct and Rooftop Package
- Supply Air Foil Directional Louvers
- UL Listed Insulated Top and/or Ends for Zero Clearance to Combustible



Plan View

(See reverse side for larger drawing)

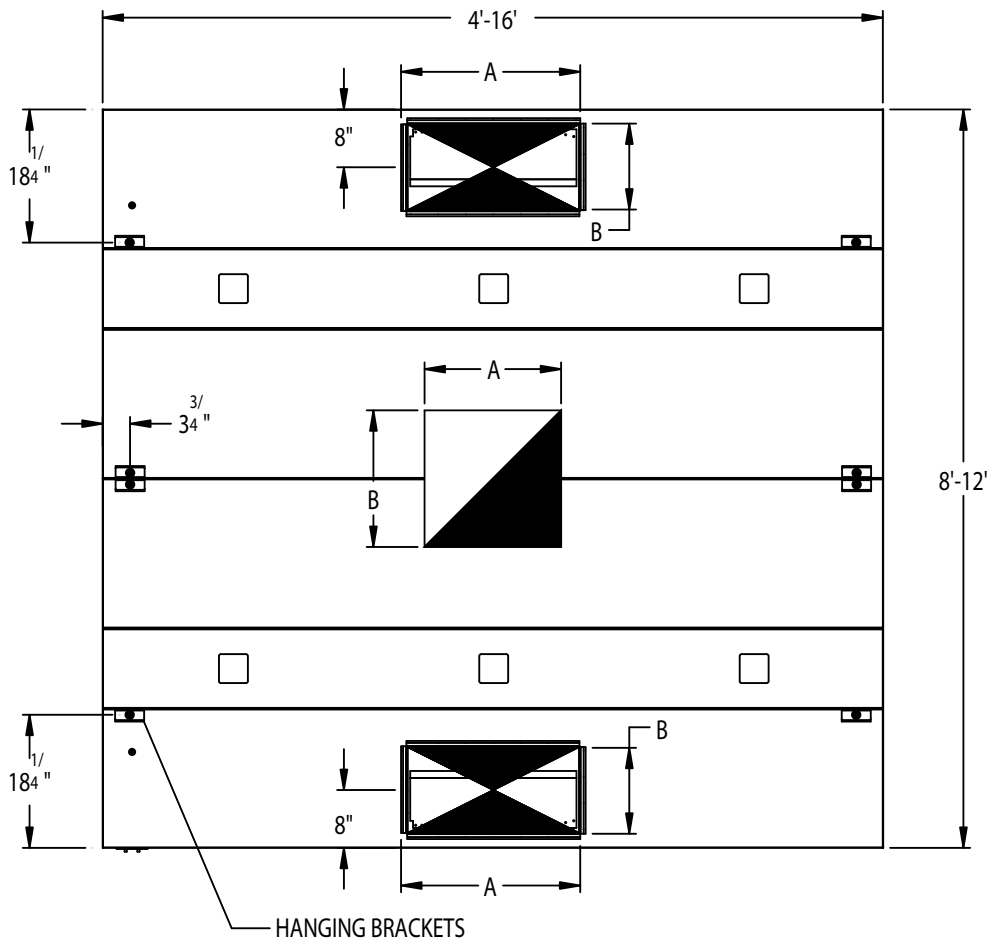
BUILT IN
ACCORDANCE
WITH NFPA 96



UL # MH 11667 HOODS WITHOUT EXHAUST DAMPERS
UL # MH 10301 HOODS WITH EXHAUST DAMPERS

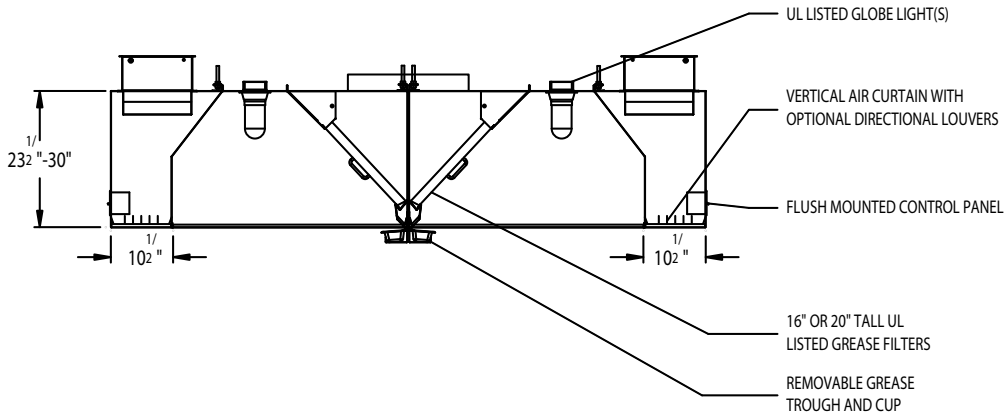
VAC-3 Vertical Air Curtain Double Island Hood

VAC-3 Series Specifications



Plan View

Note: DoubleCollars Required over 14'



Section View

ORDER ENTRY INFORMATION

Project:

Item:

Representative:

Model:

Length: Qty:

Width:
Height:

Duct - Concentric
Parallel

Exhaust CFM:
Supply CFM:

Entered by:

Date:

Drawings Req'd: Y N

List Miscellaneous
Options Separately

Duo-Aire[®]

Duo-Aire reserves the right to make changes in design and specifications without prior notice.

Duo-Aire[®]

ENGINEERING WORKSHEET

MODEL CAB / VAC-1

| MODEL NUMBER | EXHAUST CFM 600° | SUPPLY CFM | EXHAUST COLLAR | SUPPLY COLLAR |
|--------------|------------------|------------|----------------|---------------|
| VAC-1-48 | 1148 | 880 | 10 x 10 | 12 x 18 |
| VAC-1-60 | 1435 | 1100 | 11 x 11 | 12 x 18 |
| VAC-1-72 | 1722 | 1320 | 12 x 12 | 12 x 18 |
| VAC-1-84 | 2009 | 1540 | 12 x 14 | 12 x 18 |
| VAC-1-96 | 2296 | 1760 | 12 x 16 | 12 x 24 |
| VAC-1-108 | 2583 | 1980 | 12 x 18 | 12 x 24 |
| VAC-1-120 | 2870 | 2200 | 12 x 20 | 12 x 24 |
| VAC-1-132 | 3157 | 2420 | 12 x 22 | 12 x 24 |
| VAC-1-144 | 3444 | 2640 | 12 x 24 | 10 x 30 |
| VAC-1-156 | 3731 | 2860 | 12 x 26 | 10 x 30 |
| VAC-1-168 | 4018 | 3080 | 12 x 28 | 10 x 30 |
| VAC-1-180 | 4305 | 3300 | 2) 12 x 15 | 2) 12 x 18 |
| VAC-1-192 | 4592 | 3520 | 2) 12 x 16 | 2) 12 x 18 |

NOTE: Minimum overhang of 6" at hood front and ends. CFM may vary based on actual cooking equipment design.

ENGINEERING WORKSHEET

MODEL CAB / VAC-2

| MODEL NUMBER | EXHAUST CFM 600° | SUPPLY CFM | EXHAUST COLLAR | SUPPLY COLLAR |
|--------------|------------------|------------|----------------|---------------|
| VAC-2-48 | 2296 | 1760 | 14 x 14 | 2) 12 x 18 |
| VAC-2-60 | 2870 | 2200 | 15 x 16 | 2) 12 x 18 |
| VAC-2-72 | 3444 | 2640 | 17 x 17 | 2) 12 x 18 |
| VAC-2-84 | 4018 | 3080 | 18 x 19 | 2) 12 x 18 |
| VAC-2-96 | 4592 | 3520 | 20 x 20 | 2) 12 x 24 |
| VAC-2-108 | 5166 | 3960 | 20 x 22 | 2) 12 x 24 |
| VAC-2-120 | 5740 | 4400 | 20 x 25 | 2) 12 x 24 |
| VAC-2-132 | 6314 | 4840 | 20 x 27 | 2) 12 x 24 |
| VAC-2-144 | 6888 | 5280 | 20 x 28 | 2) 10 x 30 |
| VAC-2-156 | 7462 | 5720 | 22 x 28 | 2) 10 x 30 |
| VAC-2-168 | 8036 | 6160 | 22 x 29 | 2) 10 x 30 |
| VAC-2-180 | 8610 | 6600 | 2) 19 x 19 | 4) 12 x 18 |
| VAC-2-192 | 9184 | 7040 | 2) 20 x 20 | 4) 12 x 18 |

NOTE: Minimum overhang of 6" at hood front and ends. CFM may vary based on actual cooking equipment design.

ENGINEERING WORKSHEET

MODEL CAB / VAC-3

| MODEL NUMBER | EXHAUST CFM 600° | SUPPLY CFM | EXHAUST COLLAR | SUPPLY COLLAR |
|--------------|------------------|------------|----------------|---------------|
| VAC-3-48 | 2296 | 1760 | 14 x 14 | 2) 12 x 18 |
| VAC-3-60 | 2870 | 2200 | 15 x 16 | 2) 12 x 18 |
| VAC-3-72 | 3444 | 2640 | 17 x 17 | 2) 12 x 18 |
| VAC-3-84 | 4018 | 3080 | 18 x 19 | 2) 12 x 18 |
| VAC-3-96 | 4592 | 3520 | 20 x 20 | 2) 12 x 24 |
| VAC-3-108 | 5166 | 3960 | 20 x 22 | 2) 12 x 24 |
| VAC-3-120 | 5740 | 4400 | 20 x 25 | 2) 12 x 24 |
| VAC-3-132 | 6314 | 4840 | 20 x 27 | 2) 12 x 24 |
| VAC-3-144 | 6888 | 5280 | 20 x 28 | 2) 10 x 30 |
| VAC-3-156 | 7462 | 5720 | 22 x 28 | 2) 10 x 30 |
| VAC-3-168 | 8036 | 6160 | 22 x 29 | 2) 10 x 30 |
| VAC-3-180 | 8610 | 6600 | 2) 19 x 19 | 4) 12 x 18 |
| VAC-3-192 | 9184 | 7040 | 2) 20 x 20 | 4) 12 x 18 |

NOTE: Minimum overhang of 6" at hood front and ends. CFM may vary based on actual cooking equipment design.